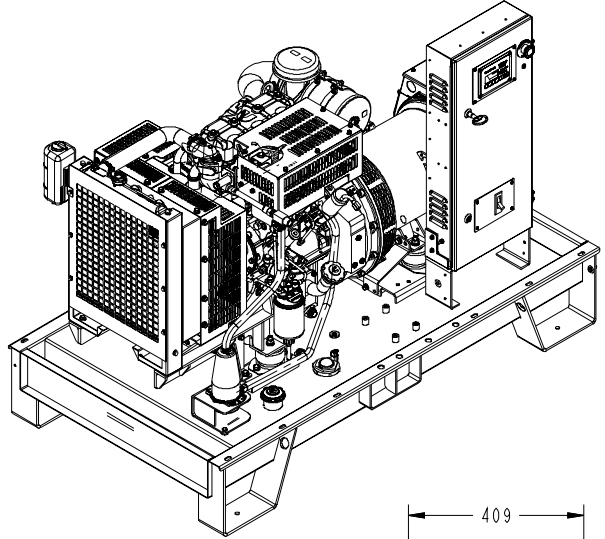
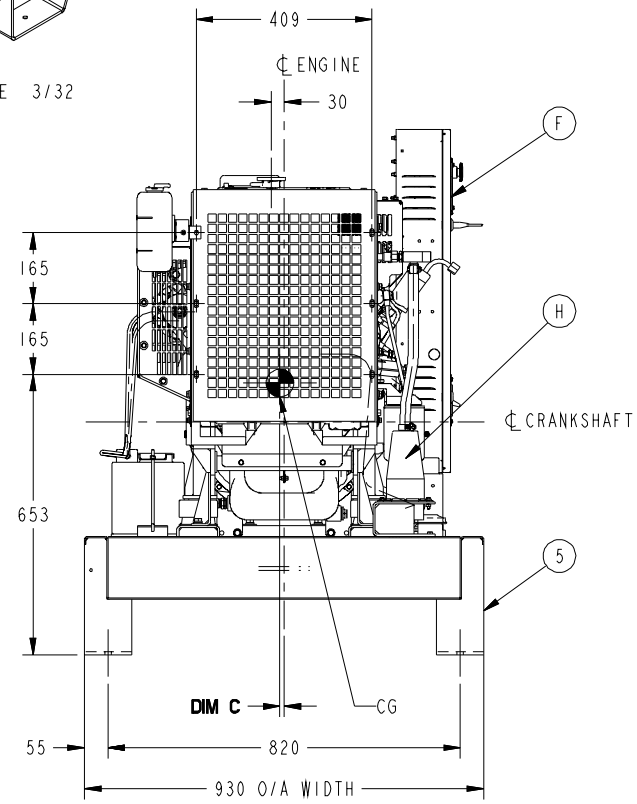
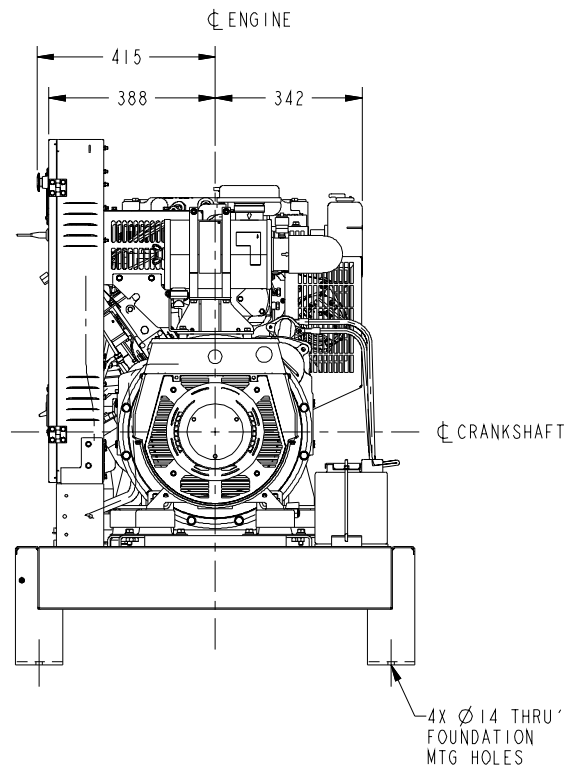
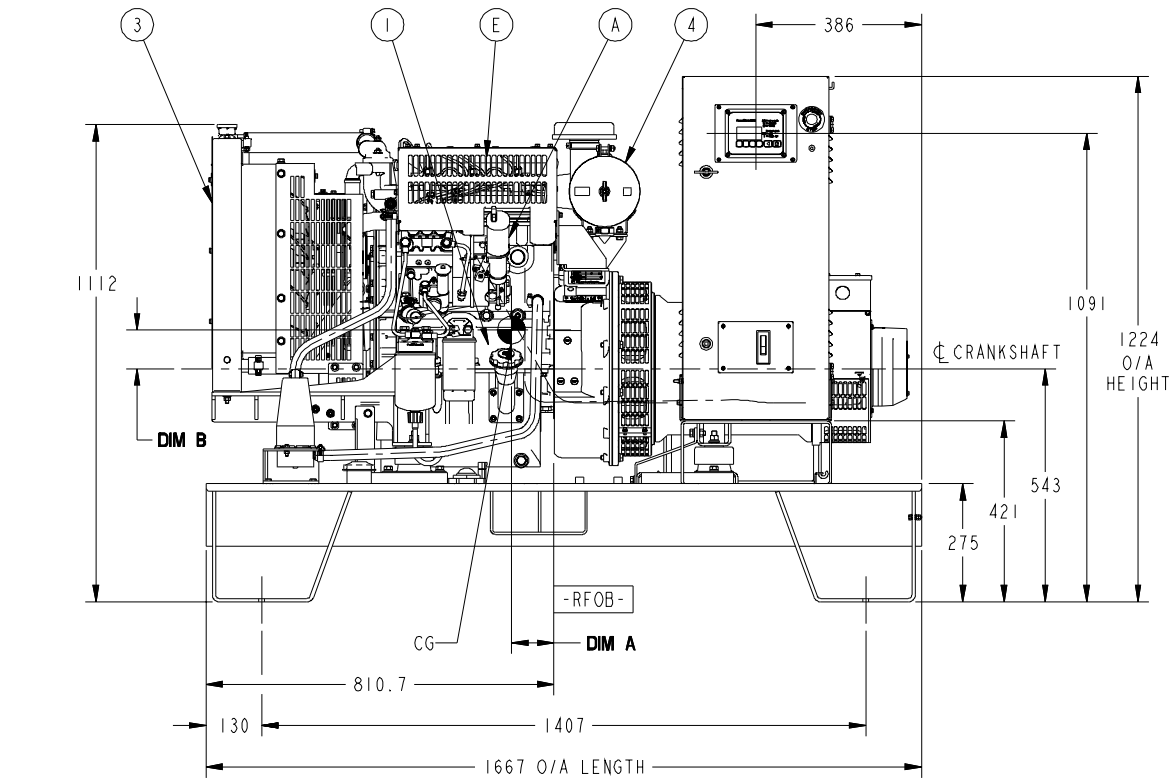
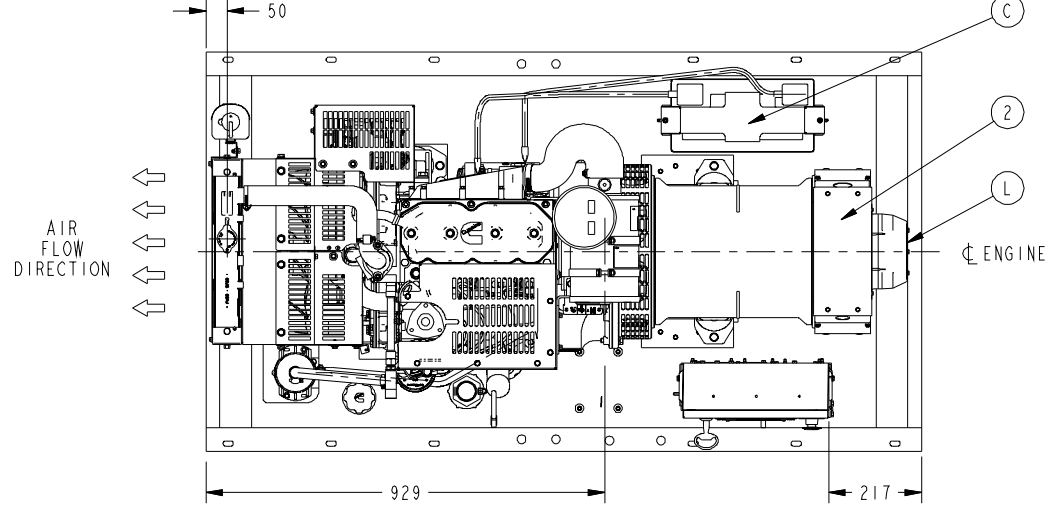


REL NO	LTR	NO	REVISION	ZONE	DWN	CKD	APVD	DATE
ER574942	A	1	PRODUCTION_RELEASE	-	MB	PH	MEHTA	08JUL09

NOTES:
1. VIEWS SHOWING STANDARD BASE TANK & P I K ALTERNATOR.
2. FUEL TANK VOLUME 155 LTRS.
3. CUSTOMER LOAD CABLES TO BE FLEXIBLE TO ALLOW MOVEMENTS OF GENSET ON ANTI-VIBRATION MOUNTS.



SCALE 3/32



ENGINE	ALTERNATOR	GENSET DRY WEIGHT (Kg)	GENSET WET WEIGHT (Kg)	GENSET WET WEIGHT+FUEL (Kg)	CG LOCATION		
					DIM A	DIM B	DIM C
X2.5	P I D	534	547	679	99	90	10
X2.5	P I E	548	562	694	81	90	10
X2.5	P I F	557	570	702	68	90	10
X2.5	P I G	573	587	719	46	80	10
X2.5	P I H	586	599	731	29	80	10
X2.5	P I J	597	611	743	13	80	10
X2.5	P I K	606	620	752	3	80	10

AVAILABLE OPTIONS (NOT SHOWN UNLESS STATED)	
ITEM	DESCRIPTION
A	SOLENOID COIL (SHOWN)
B	ACTUATOR
C	BATTERY (SHOWN)
D	MUFFLER
E	EXHAUST GUARD (SHOWN)
F	CONTROL PANEL PCC 1302 (SHOWN)
G	CONTROL PANEL PS 0500
H	COOLANT HEATER (SHOWN)
J	LUB OIL HEATER
K	ALTERNATOR SPACE HEATER
L	EBS (SHOWN)
M	FUEL SYSTEM (3 WAY VALVE)

ITEM	PART NO	DESCRIPTION OR MATERIAL
1	5	-- SKID ASSY
1	4	-- AIR CLEANER
1	3	-- COOLING SYSTEM
1	2	-- ALTERNATOR (CGT)
1	1	-- ENGINE (X2.5)

UNLESS OTHERWISE SPECIFIED, ALL DIMENSIONS ARE IN MILLIMETERS

ANG TOL: ± 1.0°	SCALE: 1/8	CONFIDENTIAL - PROPERTY OF CUMMINS POWER GENERATION GROUP	FOR INTERPRETATION OF DIMENSIONS AND TOLERANCING, SEE ASME Y12.5M-1994	DATE 08JUL09	SITE CODE	CIL	0500_5146	SHEET 1 of 1	REV A
-----------------	------------	---	--	--------------	-----------	-----	-----------	--------------	-------

DO NOT SCALE PRINT

APVD: A_MEHTA

DATE: 08JUL09

GENSET OUTLINE X2.5, P1

Cummins India Limited
Registered Office: Kothrud, Pune 411038 (India)

Pro/ENGINEER