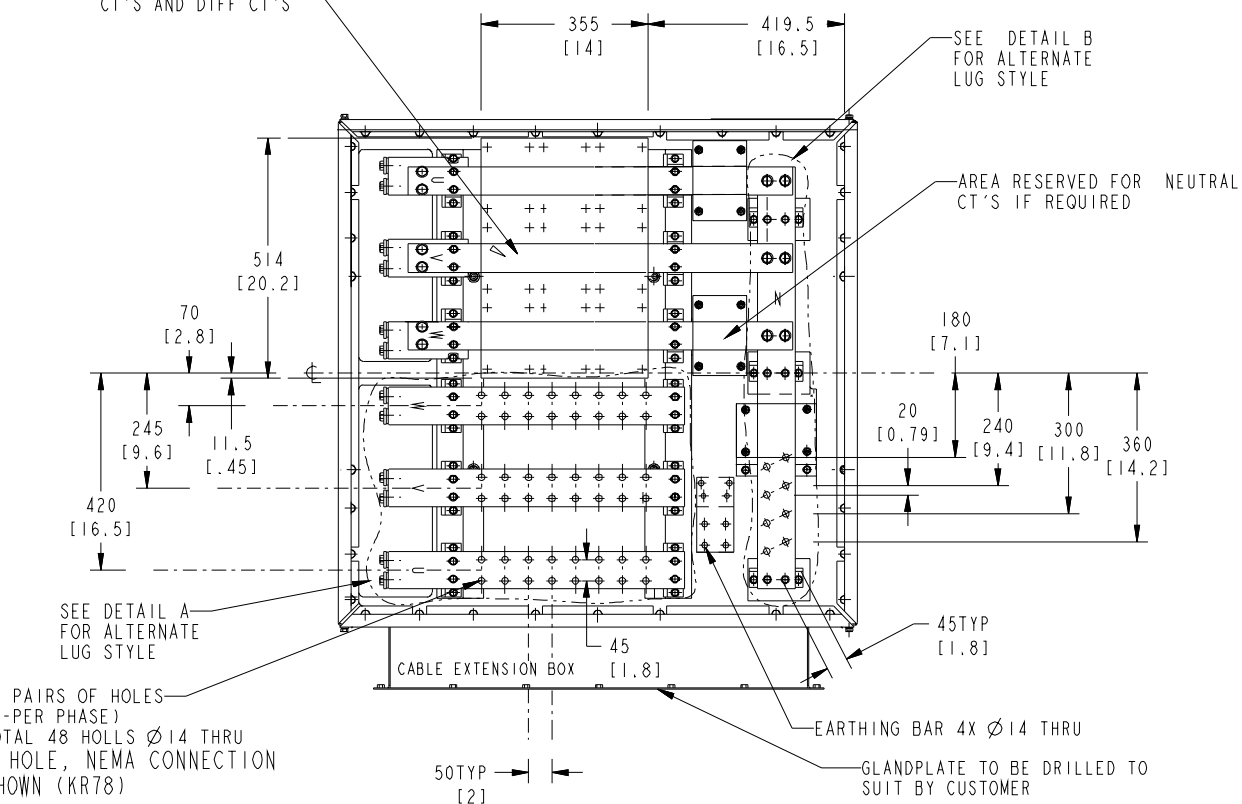
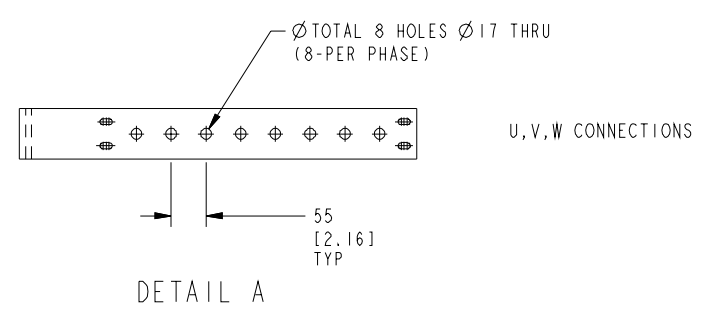


REL NO	LTR	NO	REVISION	ZONE	DR	CHKR	APPROVED	DATE
FRD17478	A	1	PRODUCTION RELEASE	-	MTA	BH	HENNING	08-01-03
FRD19449	B	4	ADDED NEWAGE 1 HOLE LUG VIEWS	-	MTA	BH	HENNING	02-10-04
FRD20897	C	1	UPDATE EARTHING BAR PICTORIALY	5C	GWH	BH	HENNING	07-15-04
FRD20842	D	--	-----	--	--	--	--	--

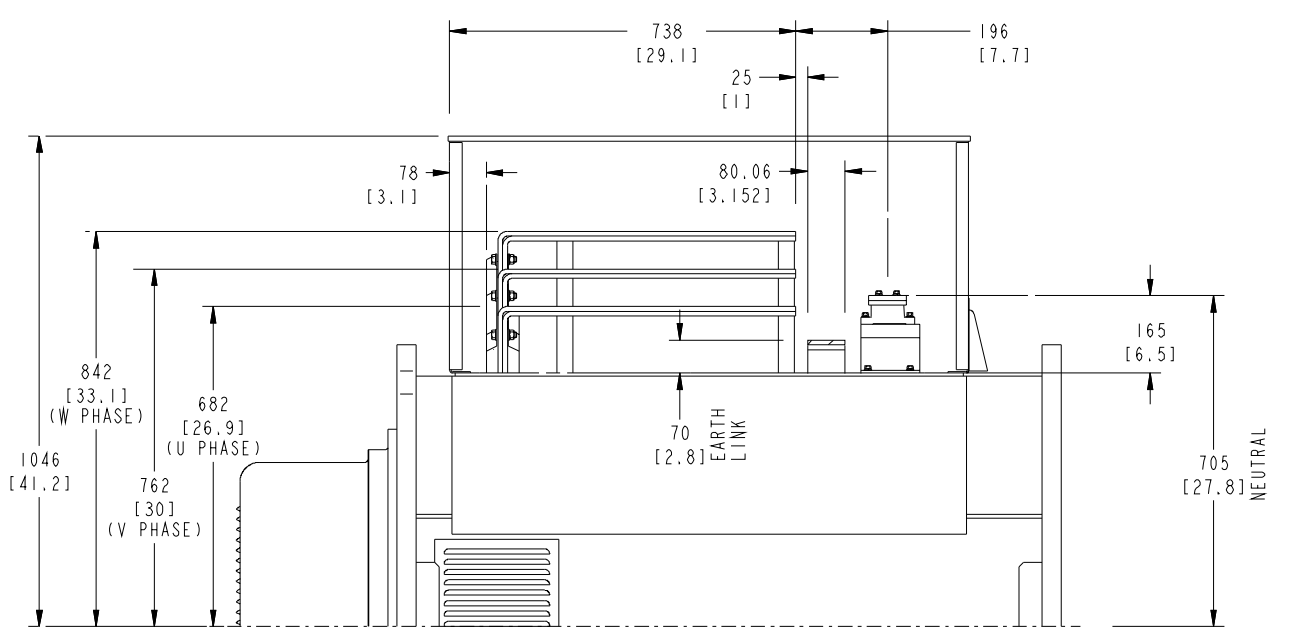
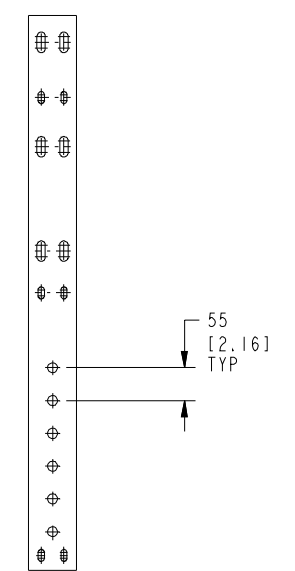
AREA RESERVED FOR CONTROL CT'S AND DIFF CT'S



ALTERNATE OUTPUT CONNECTION
NEWAGE 1 HOLE LUG (KR79)



NEUTRAL CONNECTION



LVSI 804 ALTERNATOR (P80)

TOLERANCE UNLESS OTHERWISE SPECIFIED		DIM		FINISH		ITEM		DESCRIPTION OR MATERIAL		REF DIS	
mm		INCH		MATERIAL		NAME		DATE		CUMMINS POWER GENERATION	
X ± 0.3		.XX ±		COPPER		DR M.T.ABEL		08-01-03		4000 7900 AVE NE MINNEAPOLIS, MINNESOTA 55432	
.XX ± 0.8		.XX ±		THIRD ANGLE PROJECTION		CHR B. HENNING		08-01-03		TITLE GENSET_OUTLINE	
.XX ± 0.38		.XXX ±		THIS DOCUMENT IS THE PROPERTY OF CUMMINS POWER GENERATION. IT CONTAINS PROPRIETARY AND CONFIDENTIAL INFORMATION WHICH MUST NOT BE REPRODUCED, COPIED, OR DISCLOSED IN ANY MANNER WITHOUT THE EXPRESS WRITTEN PERMISSION OF CUMMINS POWER GENERATION OR ITS REPRESENTATIVE.		APPROVED B. HENNING		08-01-03		SITE CODE	
ANG TOL ± 1.0		0.09-4.99 +0.15/-0.08		.004-.200 +.006/-0.03		FOR INTERPRETATION AND MODEL FIRST USED ON		DQKH		PGA	
DRAWN TO 3/64		5.00-9.99 +0.20/-0.10		.201-.521 +.008/-0.04		SCALE OF		0500_3877		SHEET 6 OF 7	
SCALE OF		10.00-17.49 +0.25/-0.13		.522-.812 +.010/-0.05		DATE		08-01-03		D	
		17.50-24.99 +0.30/-0.15		.813-1.625 +.012/-0.05							