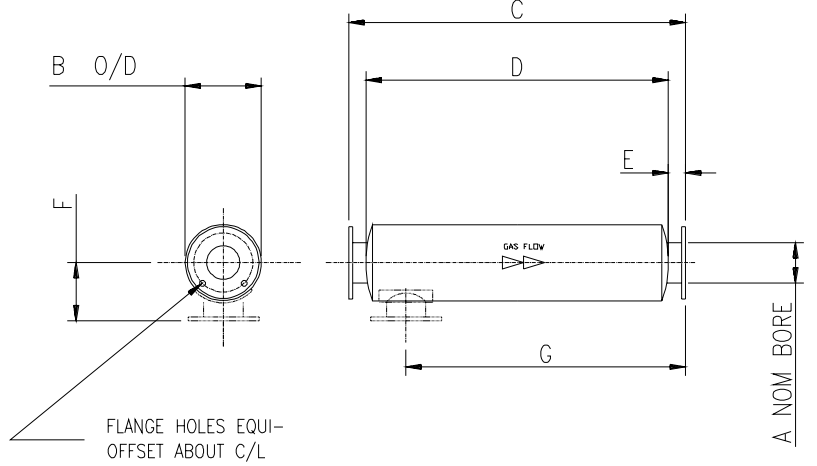


REV. No.	DATE	BY	CHKD	APPROVED	DATE
ERK10135	A	1		JM AA	11/05/04
ERK10562	B	1		D5 JM AA	13/01/05
ERK12813	C	--		HL CK	10/04/06
ERK12855	D	--		NAD CK	18/04/06
ERK14103	E	--		RM CK	12/02/07
ERK14151	F	--		RM CK	21/02/07

OPTION - SILENCERS



BS TABLE D FLANGE DETAILS					
NOMINAL BORE	FLANGE O/DIA	FLANGE DEPTH	P.C.D.	HOLE DIA	NUMBER of HOLES
100	216	13	178	17.5	4
150	280	13	235	17.5	8
200	336	13	292	17.5	8

NOTE : 3" BORE SILENCERS HAVE 3" BSP/MALE STUBS INSTEAD OF FLANGES

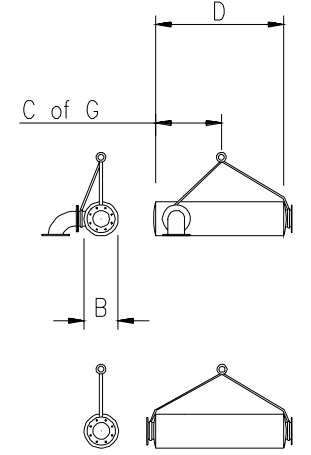
INDUSTRIAL SILENCER

TYPICALLY USED ON	PART NO.		DIM A	DIM B	DIM C	DIM D	DIM E	DIM F	DIM G
	PGK	PGG No.							
KTA50	015325		200	413	1550	1400	75	/	/
	015321		200	413	/	1400	75	285	1310

RESIDENTIAL SILENCER

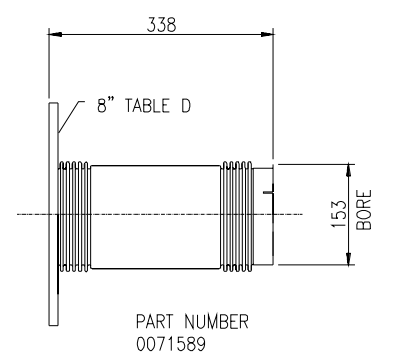
TYPICALLY USED ON	PART NO.		DIM A	DIM B	DIM C	DIM D	DIM E	DIM F	DIM G
	PGK	PGG No.							
KTA50	015316	0155-3491	200	567	1750	1600	75	/	/
	015312	0155-3490	200	567	/	1600	75	360	1400

RECOMMENDED LIFTING ARRANGEMENTS FOR MUFFLERS USING STROPS



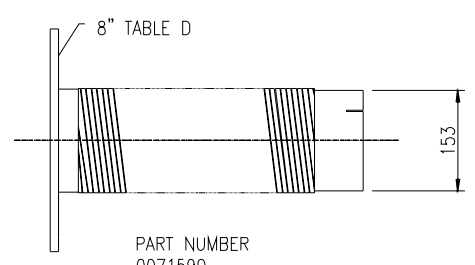
NOTE:  
1. Protection required to prevent damage to unit and strops where they come into contact.

OPTION - EXHAUST BELLOWS



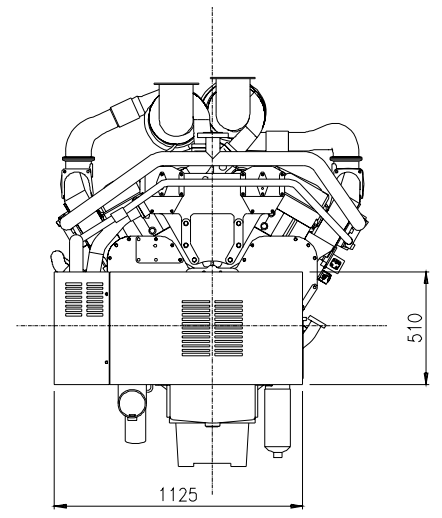
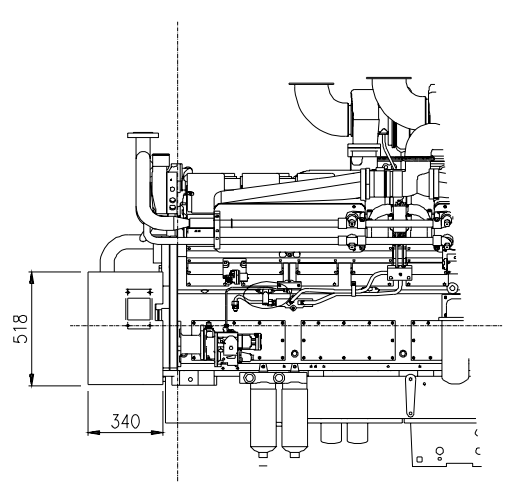
PART NUMBER 0071589

OPTION - EXHAUST FLEX



PART NUMBER 0071590

SCALE - 1:5



TOLERANCE UNLESS OTHERWISE SPECIFIED	SIMILAR TO	NAME	DATE
±0.05	AS SHOWN	J. MATHEWS	11/05/04
±0.10	AS SHOWN	A. ANDREWS	
±0.15	AS SHOWN	M. BARGENT	