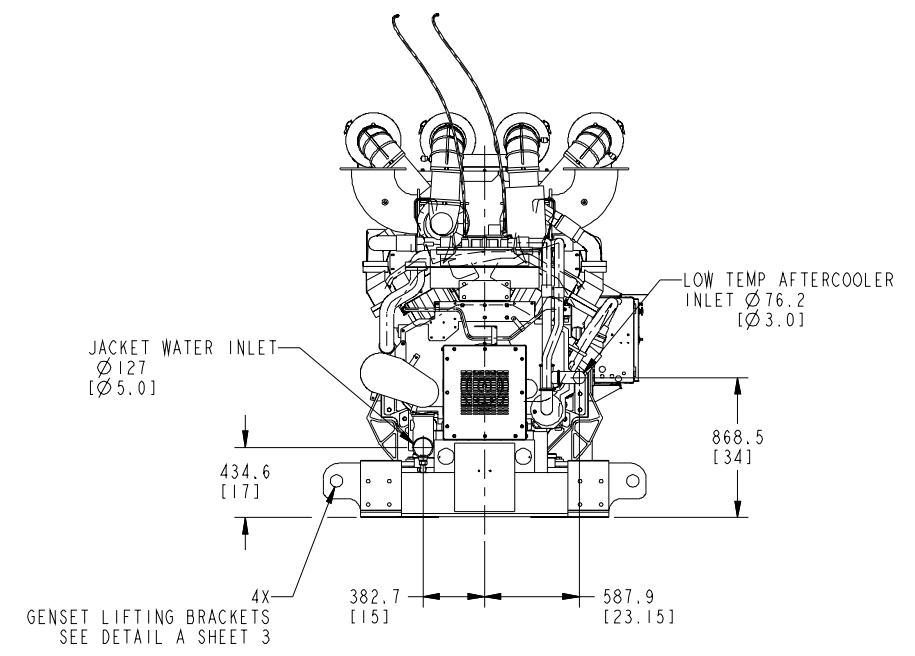
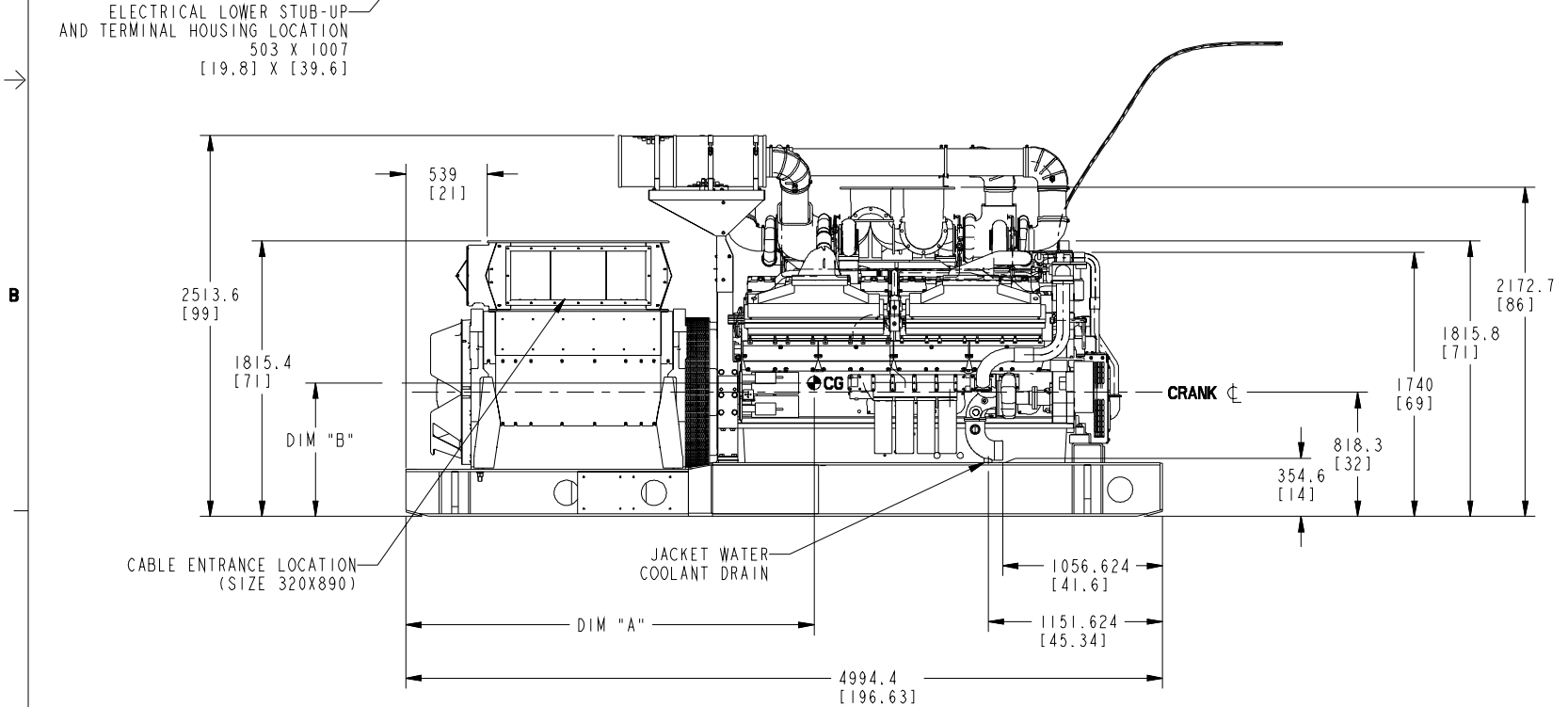
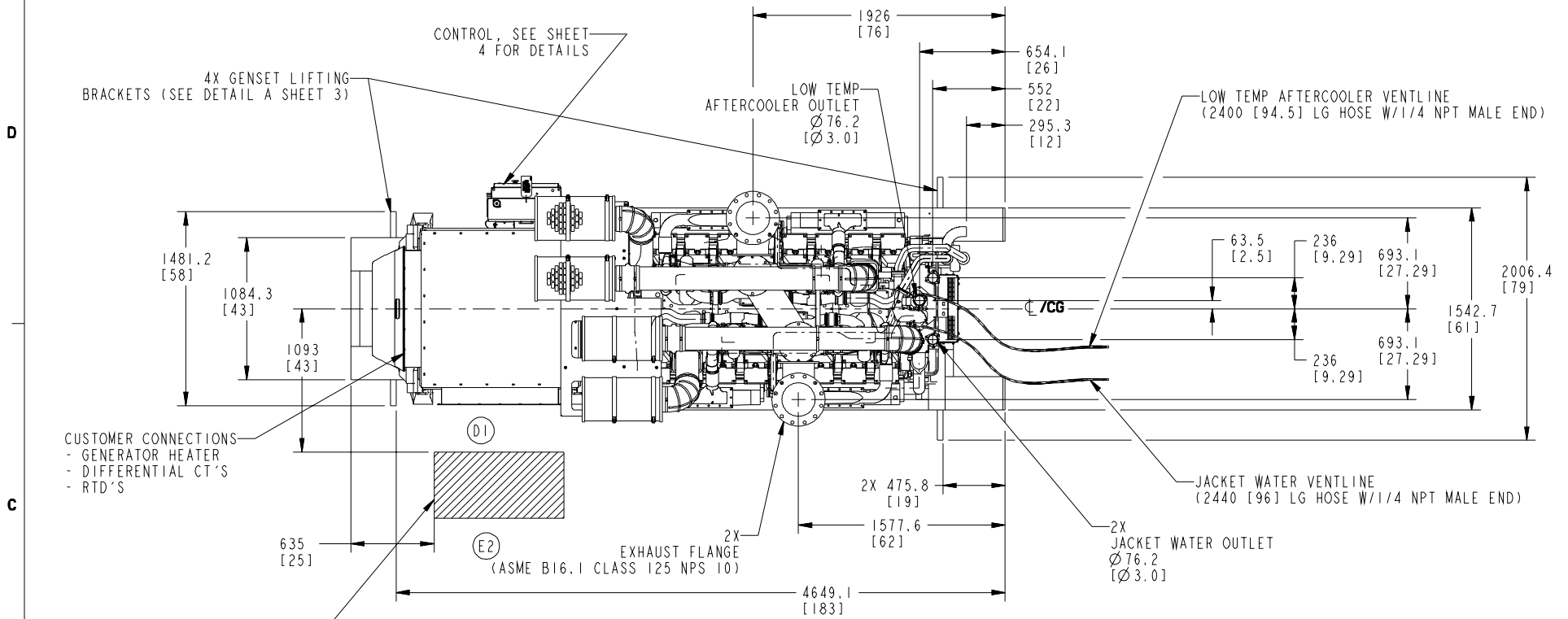


REL NO	LTR	NO	REVISION	ZONE	DR	CHKR	APPROVED	DATE
FRD17478	A	1	PRODUCTION RELEASE	-	MTA	BH	HENNING	08-01-03
FRD19449	B	2	ADDED 539 DIM	6B	MTA	BH	HENNING	02-10-04
FRD20897	C	--	-----	--	---	---	---	-----
FRD20842	D	1	MODIFIED STUB-UP LOCATION	5C	LDH	LH	HENNING	08-02-04
FRD21945	E	2	ASME WAS ANSI	5C	MTA	BH	HENNING	10-28-04

- NOTE:
- DIMENSIONS SHOWN IN [] BRACKETS ARE INCHES.
 - DO NOT ATTACH SOLID CONDUIT TO CONTROL BOX.
 - GENSET SHIPPED FILLED WITH ENGINE OIL.

TABULATION OIL SUMP (46.5U.S. GALLONS)				
GEN FRAME SIZE	DIM "A" C.G.	DIM "B" C.G.	GENSET WT W/O COOLANT	
			KGS	LBS
LVS1804R	2567 [101]	910 [35.8]	14340	31614
LVS1804S	2594 [102]	908 [35.7]	14588	32161
LVS1804T	2630 [104]	906 [35.6]	14938	32932
MV/HVS1804R	2542 [100]	907 [35.7]	14073	31025
MV/HVS1804S	2569 [101]	906 [35.6]	14321	31571
MV/HVS1804T	2606 [103]	904 [35.5]	14671	32343



REMOTE COOLED P80 ALTERNATOR

TOLERANCE UNLESS OTHERWISE SPECIFIED		DIM TO		ITEM	PART NO	DR	DESCRIPTION OR MATERIAL	REF DIS
mm		inch		NAME		DATE		CUMMINS POWER GENERATION 4000 75RD AVE NE MINNEAPOLIS, MINNESOTA 55432
X ± 1		.XX ±		M.T. ABEL		08-01-03		
.XX ± 0.8		.XX ±		CHR DR B HENNING		08-01-03		TITLE: GENSET_OUTLINE (E043) SITE CODE: PGA DRG NO: 0500_3878 SHEET: 2 of 7 D
.XX ± 0.38		.XXX ±		APPROVED B HENNING		08-01-03		
ANG TOL ± 1.0		0.00-4.99		FOR INTERPRETATION OF DIMENSIONS AND TOLERANCES, SEE ANSIST Y14.2M-1982		MODEL FIRST USED ON		
SCALE OF		1:1		DQKH				