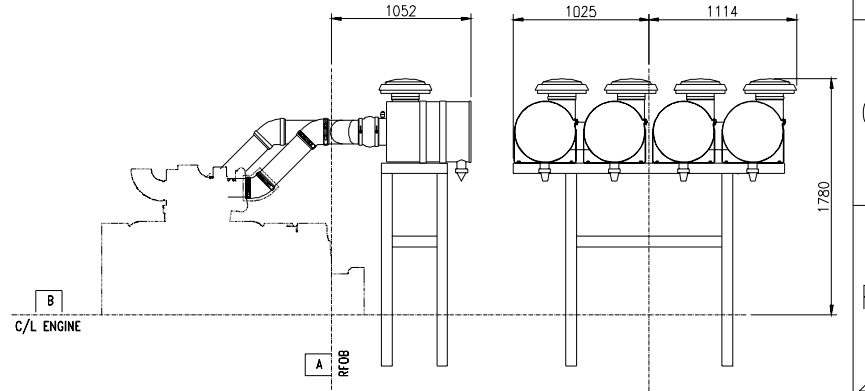
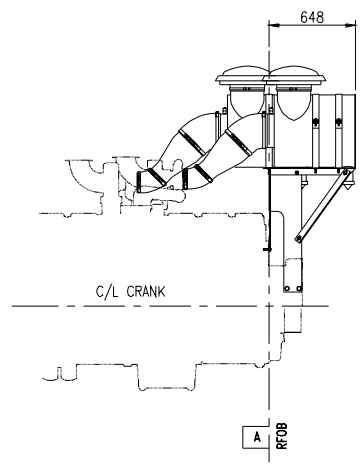
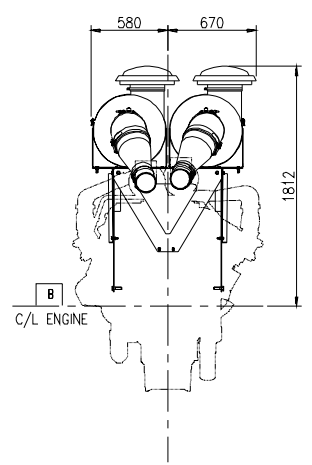
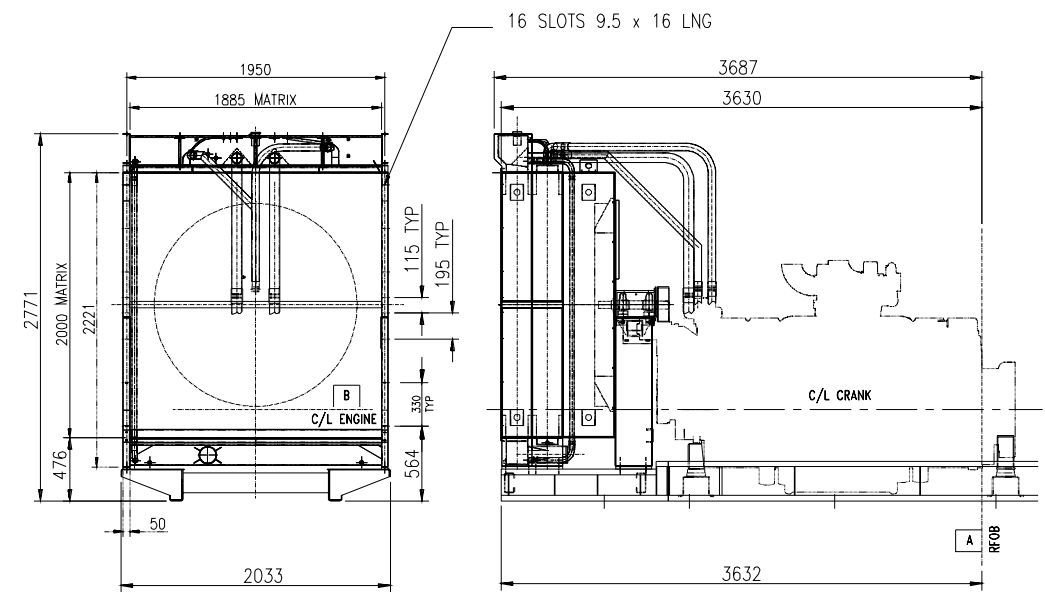
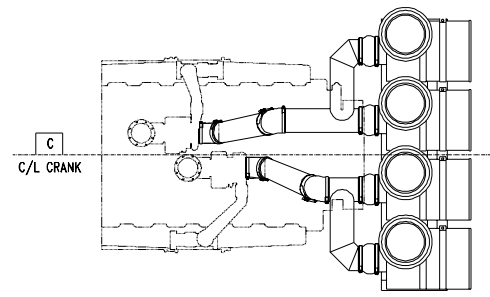
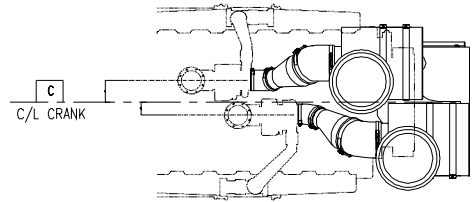
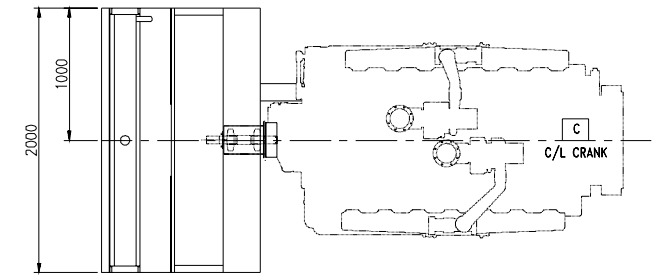


0500-4106 A1

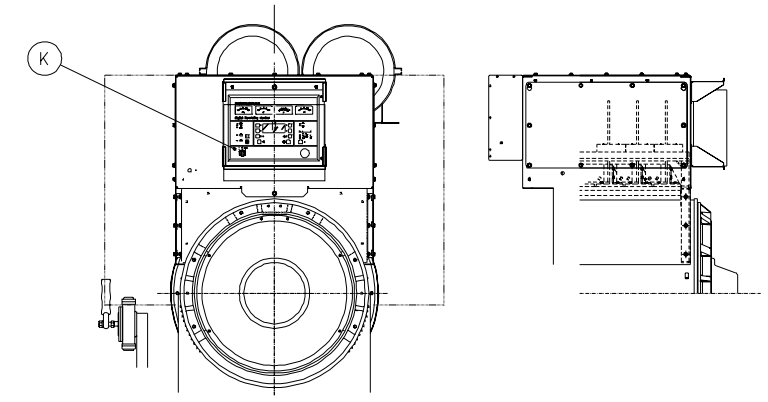
REV. No.	DATE	BY	CHKD	APPROVED	DATE		
ERK10135	A	1		JM	AA	BARGENT	11/05/04
ERK10562	B	1		JM	AA	BARGENT	15/01/05
ERK12813	C			HL	CK	CONNOLLY	10/04/06
ERK12856	D			NAD	CK	CONNOLLY	18/04/06
ERK14103	E			RM	CK	CONNOLLY	12/02/07
ERK14151	F			RM	CK	CONNOLLY	21/02/07



RADIATOR 50°C AMBIENT OPTION FOR USE ON KTA50G8 + KTA50GS8

HEAVY DUTY - A MINIMUM DIRT HOLDING CAPACITY OF 25g/cfm OF INTAKE AIR FLOW FOR USE ON KTA50G8.

HEAVY DUTY - A MINIMUM DIRT HOLDING CAPACITY OF 25g/cfm OF INTAKE AIR FLOW FOR USE ON KTA50G9.



PCCP3100 CONTROLLER FOR PARALLELING OPERATIONS ONLY.

TOLERANCE UNLESS OTHERWISE SPECIFIED	SHAFT TO COPIED FROM	NAME	DATE
X .XX = ±.3 X.XX = ±0.5		J MATHEWS	11/05/04
THIRD ANGLE PROJECTION		A ANDREWS	
0.09-4.99 = +0.15/-0.08 5.00-9.99 = +0.20/-0.10 10.00-17.99 = +0.25/-0.13 18.00-24.99 = +0.30/-0.15		M BARGENT	

AutoCAD	DO NOT SCALE PRINT	ANGLE TOL. ±1.0°	SCALE: NTS
---------	--------------------	------------------	------------

Cummins Power Generation Columbus Avenue, Manston, Ramsgate Kent, CT12 5BF, England, UK	SITE CODE	PKG	PGK
TITLE	GENSET OUTLINE	FIG. NO.	0500-4106
SHEET	2	OF 3	A1