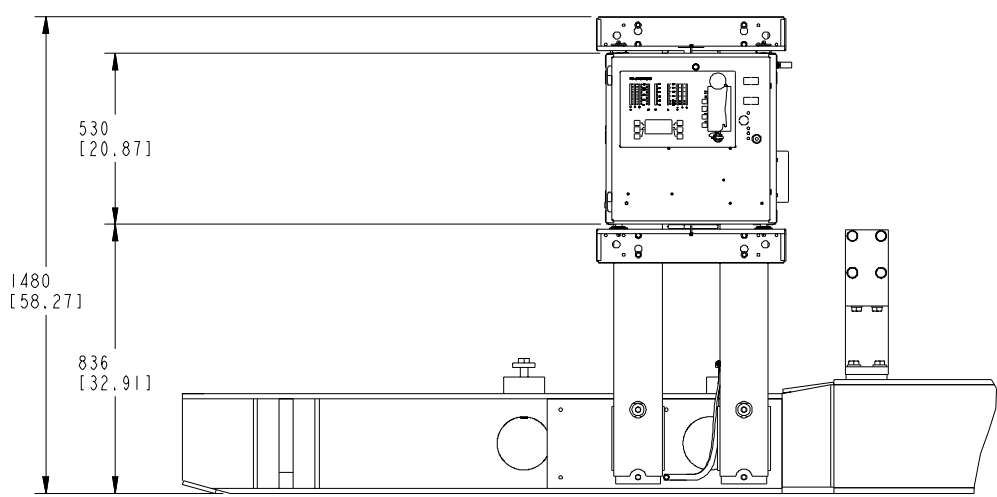
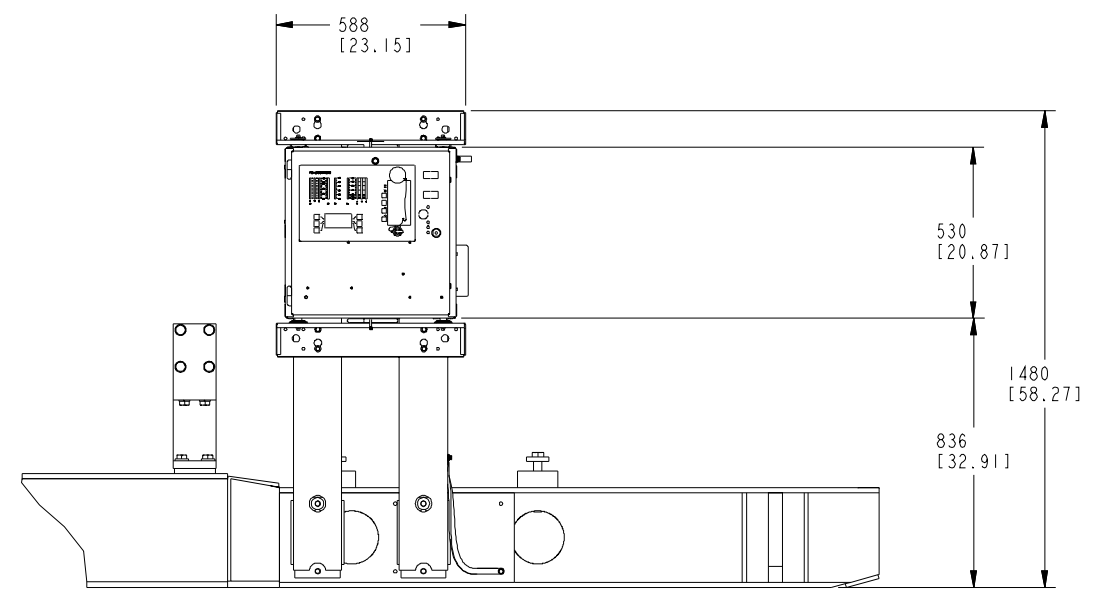
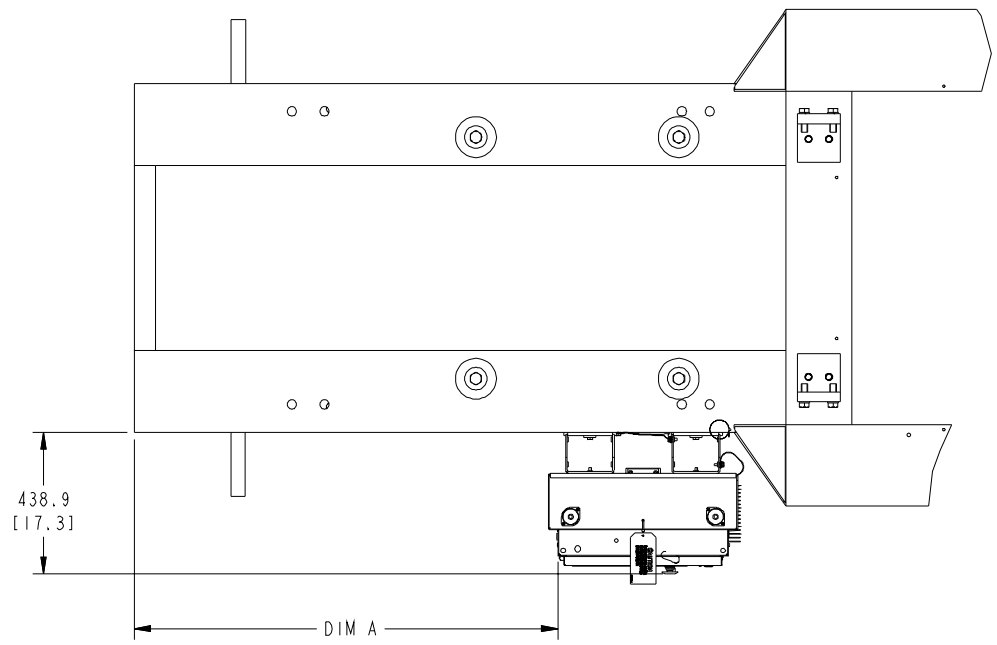
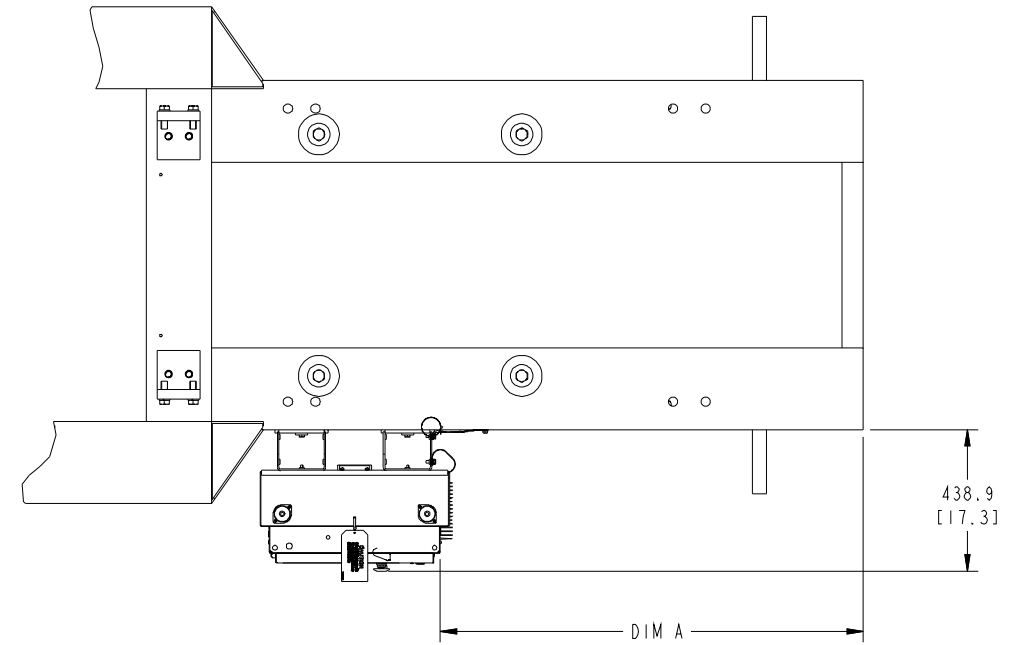


REL NO	LTR	NO	REVISION	ZONE	DR	CHKR	APPROVED	DATE
FRD17478	A	1	PRODUCTION_RELEASE	-	MTA	BH	HENNING	08-01-03
FRD19449	B	-	-	-	-	-	-	-
FRD20897	C	-	-	-	-	-	-	-
FRD20842	D	-	-	-	-	-	-	-



H609

H608

RADIATOR COOLED

GEN STYLE	DIM "A"
P7	1314.4 [51.75]
P80	1073.7 [42.27]

TOLERANCE UNLESS OTHERWISE SPECIFIED		DIM		ITEM		DESCRIPTION OR MATERIAL		REF DIS	
mm		inch		NAME		DATE		CUMMINS POWER GENERATION	
0.00-4.99 ± 0.08		.004-.200 ± .006/- .003		DR M.T.ABEL		08-01-03		4000 790D AVE NE MINNEAPOLIS, MINNESOTA 55432	
5.00-9.99 ± 0.10		.201-.500 ± .008/- .004		CHGR B.HENNING		08-01-03		TITLE GENSET_OUTLINE	
10.00-17.49 ± 0.13		.501-.800 ± .010/- .005		APPROVED B.HENNING		08-01-03		SITE CODE	
17.50-24.99 ± 0.15		.801-1.000 ± .012/- .005		MODEL FIRST USED ON		DQKH		PGA	
ANG TOL ± 1.0 °		ANG ± '12.5M-1982		FOR INTERPRETATION OF DIMENSIONS AND TOLERANCES, SEE				DWG NO 0500_3877	
DRAWN TO 3/64				SCALE OF				SHEET 3 of 7	
								D	