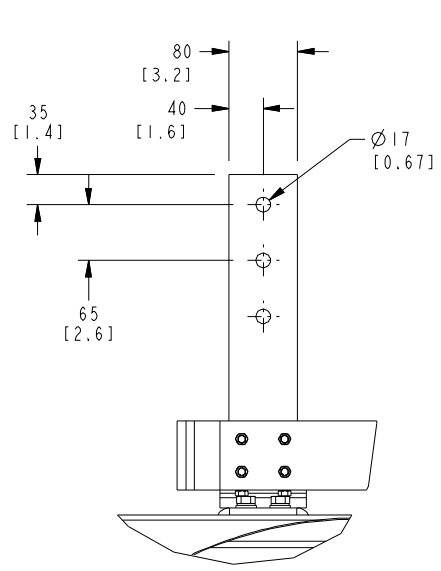
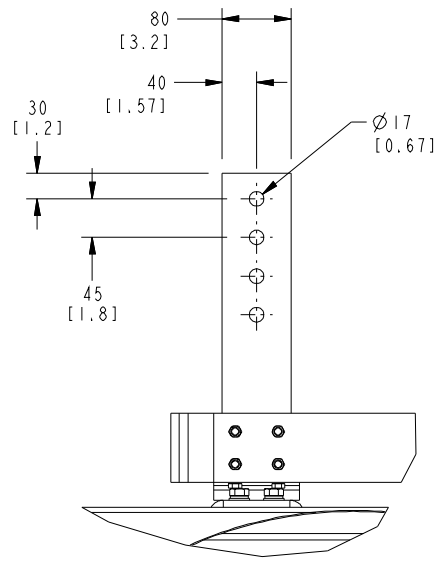


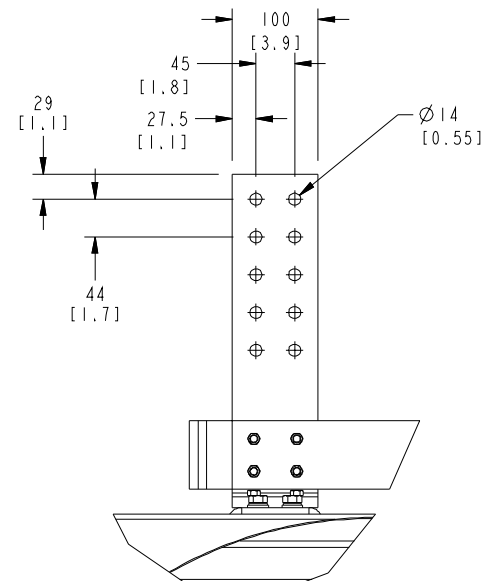
REL NO	LTR	NO	REVISION	ZONE	DR	CHKR	APPROVED	DATE
FRD17478	A	1	PRODUCTION RELEASE	-	MTA	BH	HENNING	08-01-03
FRD19449	B	3	ADDED NEWAGE 1 HOLE LUG VIEWS	-	MTA	BH	HENNING	02-10-04
FRD20897	C	--	-----	--	---	---	---	-----
FRD20842	D	--	-----	--	---	---	---	-----



DETAIL A
SCALE 1/4

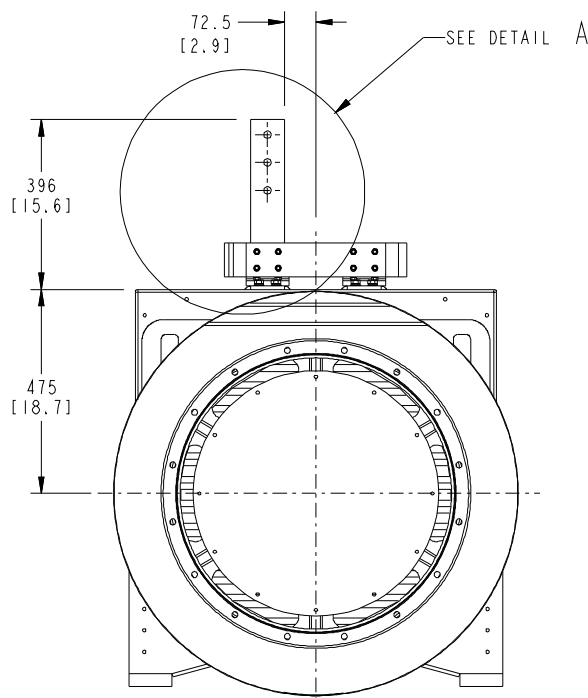
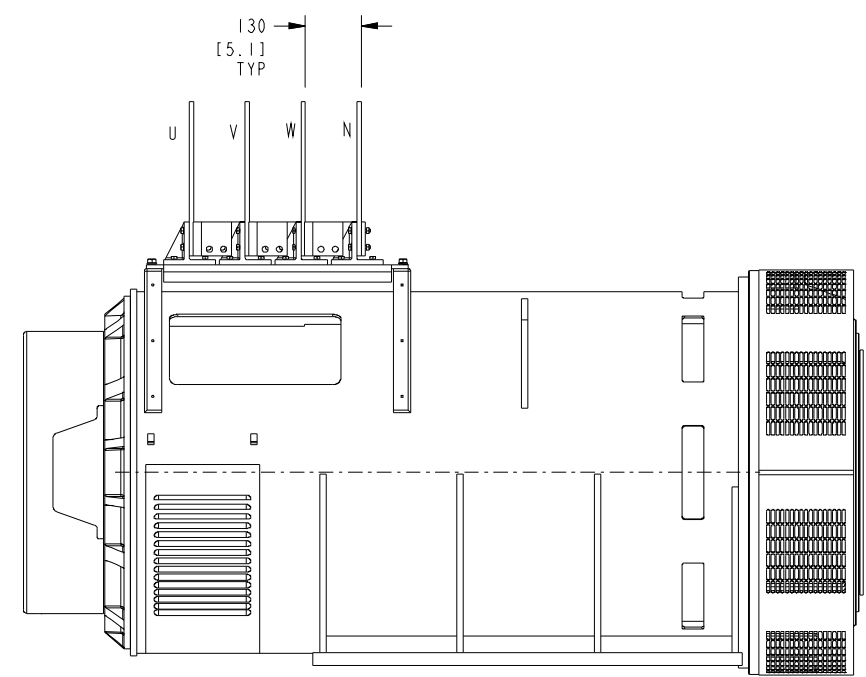


DETAIL B
SCALE 1/4

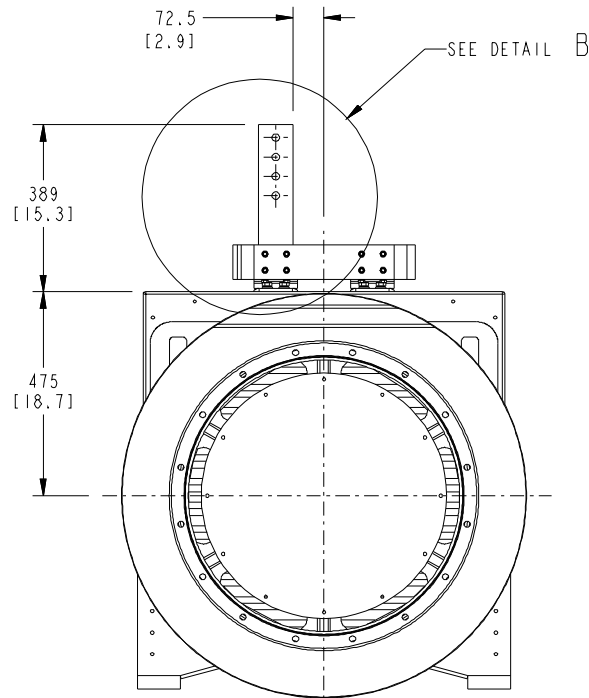


DETAIL C
SCALE 1/4

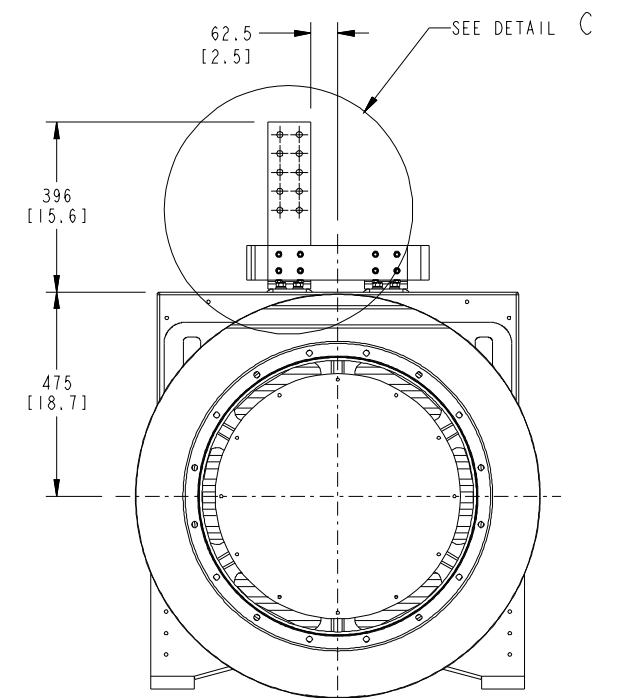
- NOTES:
- EACH 2 HOLE, NEMA TERMINAL WILL ACCOMMODATE UP TO 10 750 MCM LUGS.
 - DIMENSIONS SHOWN IN [] ARE INCHES.



1 HOLE LUG
NEWAGE
CORES B THRU F
(KR79)



1 HOLE LUG
NEWAGE
CORE G
(KR79)



2 HOLE LUG, NEMA
CORES B THRU G
(KR78)

P7 ALTERNATOR

ELECTRICAL CONNECTION DETAIL
(OUTPUT BOX NOT SHOWN)

TOLERANCE UNLESS OTHERWISE SPECIFIED		DIM TO		ITEM	PART NO	DR	DATE	DESCRIPTION OR MATERIAL	REF
mm		inch		CUMMINS POWER GENERATION					
0.00 - 4.99		.004 - .008		NAME		DATE		CUMMINS POWER GENERATION	
5.00 - 9.99		.008 - .010		DR		08-01-03		4000 750D AVE NE	
10.00 - 17.99		.010 - .013		MFG		08-01-03		MINNEAPOLIS, MINNESOTA 55432	
18.00 - 24.99		.013 - .015		APPROVED		08-01-03		TITLE	
				B. HENNING				GENSET_OUTLINE	
ANG TOL ± 1.0 °				SITE CODE				DWG NO	
				PGA				0500_3877	
DRAWN TO 3/4				MODEL FIRST USED ON				SHEET	
SCALE OF				DQKH				5 of 7	