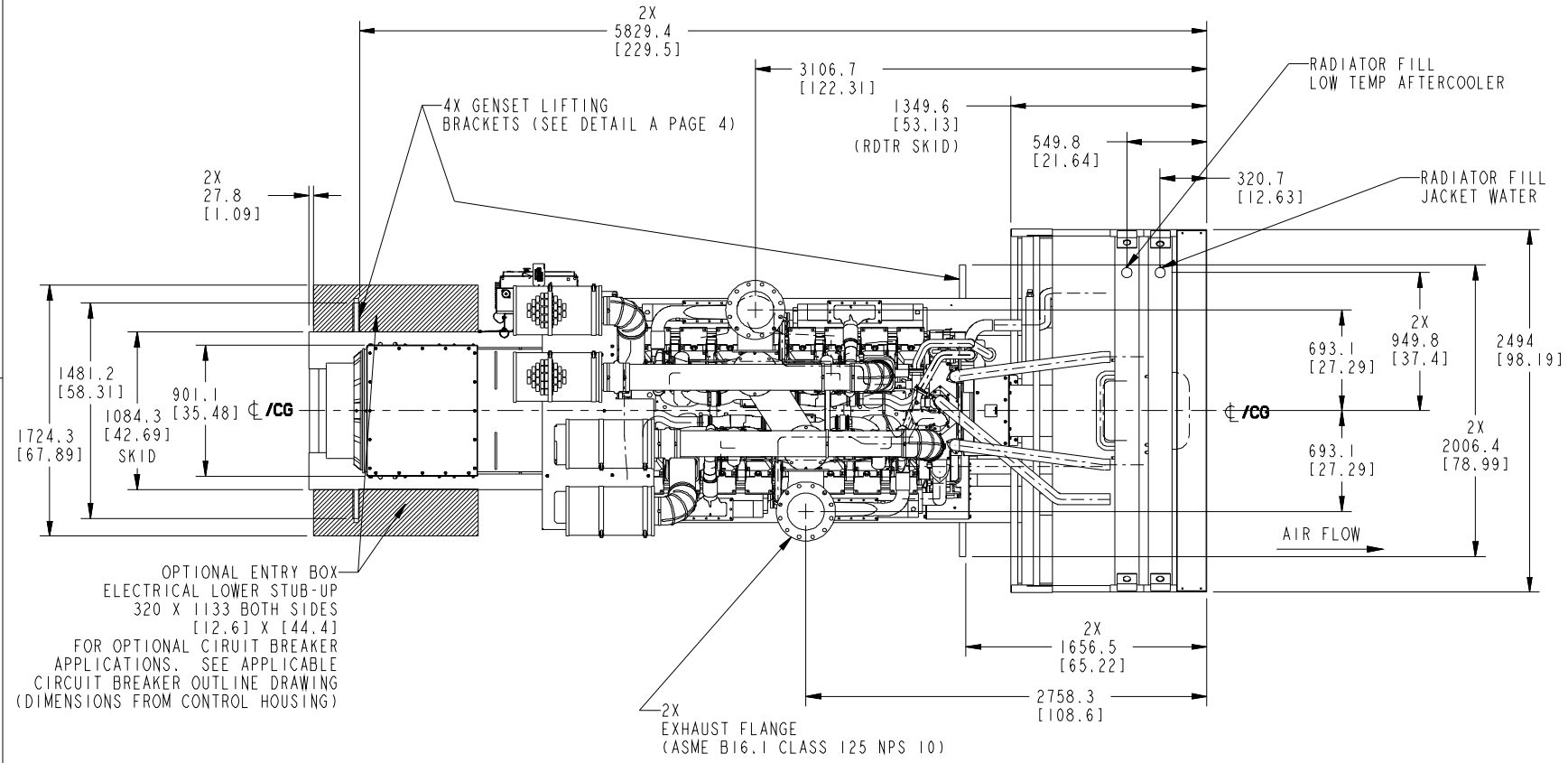


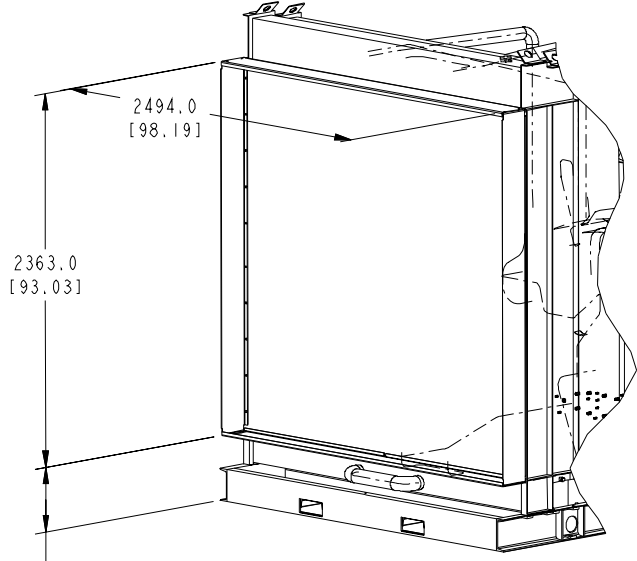
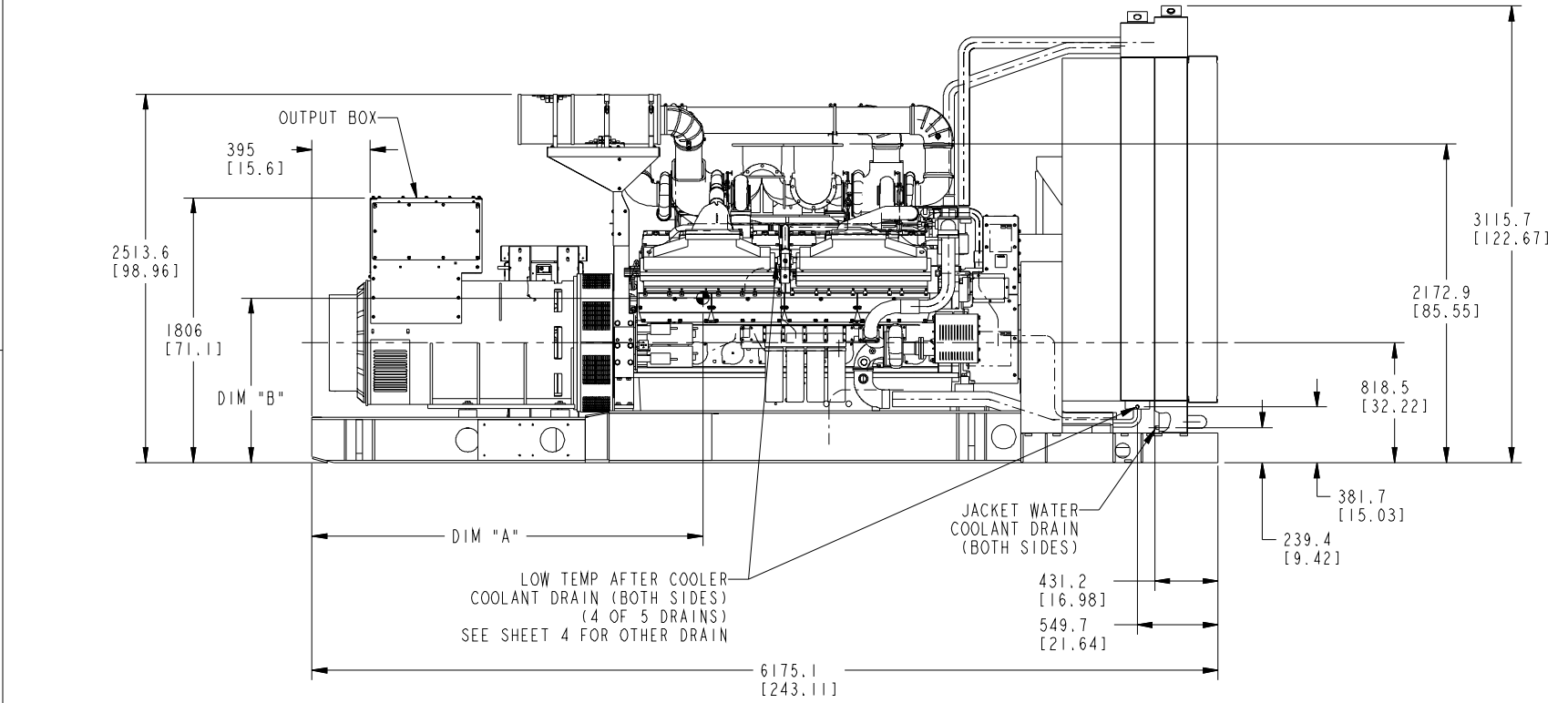
REL NO	LTR	NO	REVISION	ZONE	DR	CHKR	APPROVED	DATE
FRD17478	A	1	PRODUCTION RELEASE	-	MTA	BH	HENNING	08-01-03
FRD19449	B	1	ADDED DIM 395	-	MTA	BH	HENNING	02-10-04
		2	SEE SHEET 2	-	MTA	BH	HENNING	02-10-04
		3	SEE SHEET 5	-	MTA	BH	HENNING	02-10-04
		4	SEE SHEET 6	-	MTA	BH	HENNING	02-10-04
		5	SEE SHEET 7	-	MTA	BH	HENNING	02-10-04
FRD20897	C	1	SEE SHEET 6	-	GWH	BH	HENNING	07-15-04
		2	SEE SHEET 7	-	GWH	BH	HENNING	07-15-04
FRD20842	D	1	SEE SHEET 2	-	LDH	LH	HENNING	08-02-04



- NOTE:
1. DIMENSIONS SHOWN IN [ ] BRACKETS ARE INCHES.
  2. DO NOT ATTACH SOLID CONDUIT TO CONTROL BOX.
  3. GENSET SHIPPED FILLED WITH ENGINE OIL.

TABULATION  
OIL SUMP (46.5 U.S. GALLONS)

GEN. FRAME SIZE	DIM. "A" C.G.	DIM. "B" C.G.	GENSET WT W/O COOLANT		GENSET WT W/COOLANT	
			KGS	LBS	KGS	LBS
PTG	3016 [118.7]	943 [37.1]	15254	33629	15781	34790



DUCT ADAPTER DIMENSIONS

RADIATOR COOLED (40C)  
P7 ALTERNATOR

TOLERANCE UNLESS OTHERWISE SPECIFIED		DIM TO		DATE		CUMMINS POWER GENERATION	
FR	FR	FR	FR	08-01-03	08-01-03	4000 750D AVE NE MINNEAPOLIS, MINNESOTA 55432	
0.00 - 4.99	+0.15/-0.00	.004 - .200	+0.001/-0.003	DR M.T. ABEL	08-01-03	TITLE GENSET_OUTLINE	
5.00 - 9.99	+0.20/-0.10	.201 - .500	+0.001/-0.004	CHR B. HENNING	08-01-03	SITE CODE	
10.00 - 17.99	+0.25/-0.13	.501 - 1.000	+0.001/-0.005	APPROVED B. HENNING	08-01-03	SHEET 1 OF 7	
18.00 - 24.99	+0.30/-0.15	1.001 - 3.000	+0.001/-0.005	FOR INTERPRETATION MODEL FIRST USED ON		Dwg No 0500_3877	
		3.001 - 10.000	+0.001/-0.005	ANG 1/2, 3/4, 1/2, 3/4, 1/2, 3/4		D	