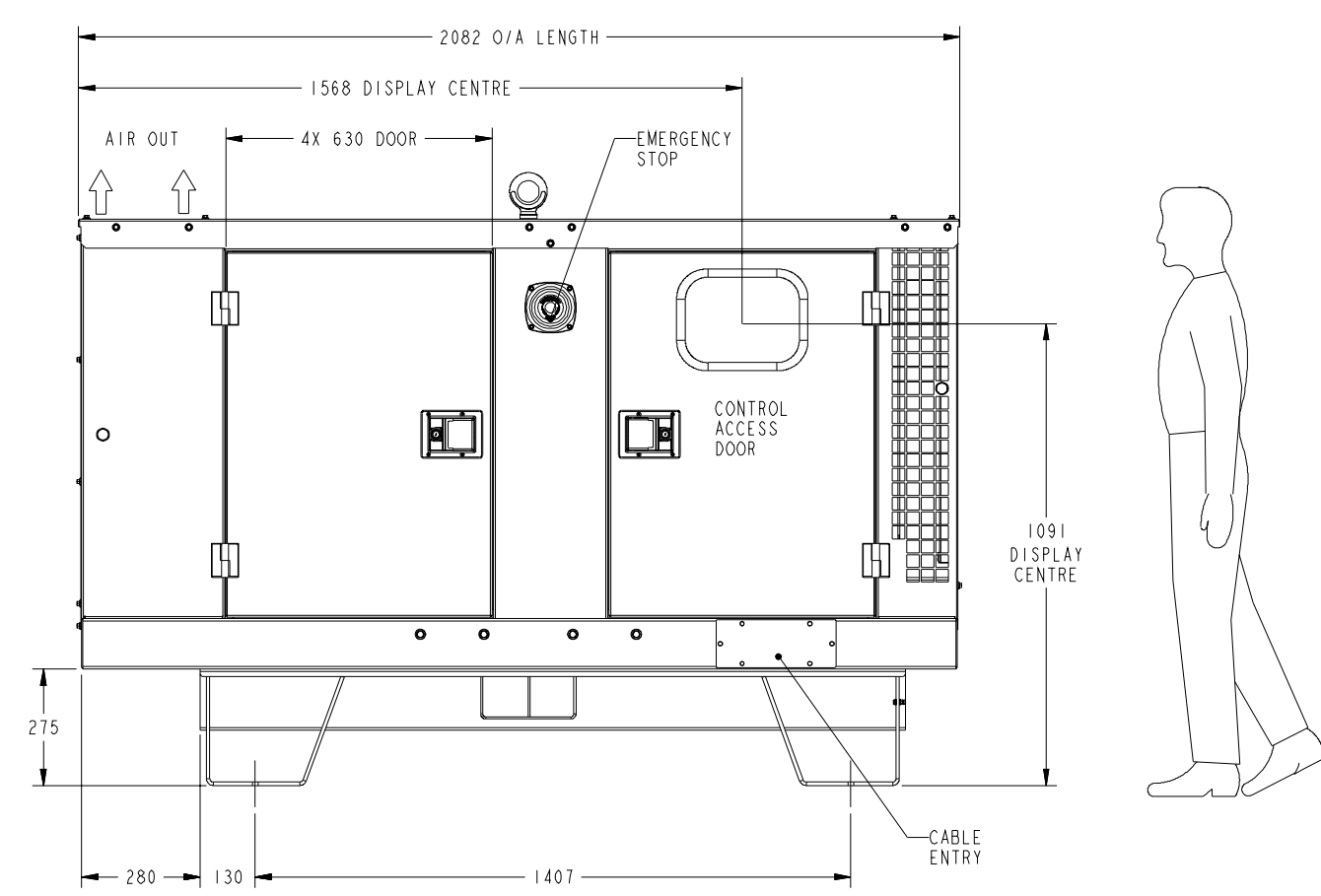
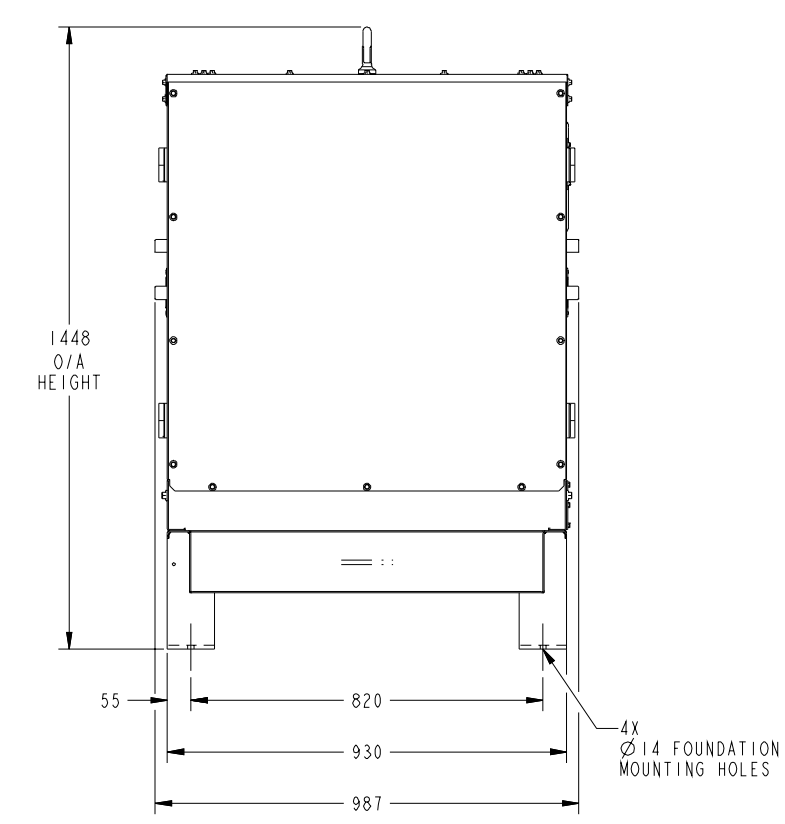
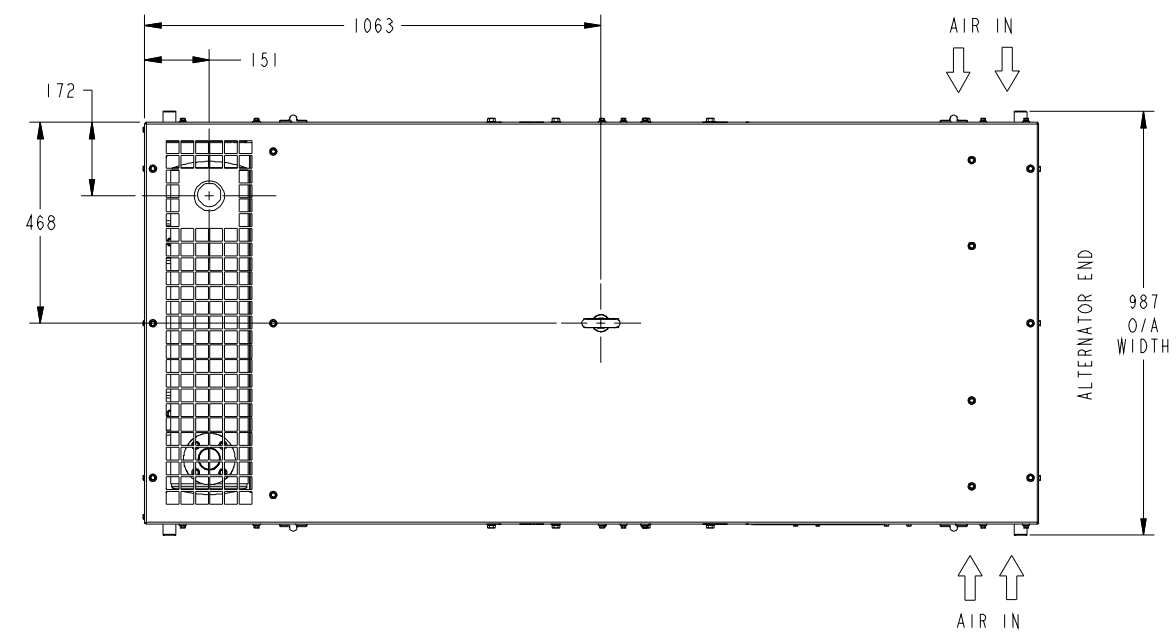


REL NO	LTR	NO	REVISION	ZONE	DWN	CKD	APVD	DATE
ER574941	A	1	PRODUCTION_RELEASE	-	PD	PH	MEHTA	08JUL09

NOTES:  
1. ENCLOSURE OUTLINE WITH STANDARD SKID



UNLESS OTHERWISE SPECIFIED, ALL DIMENSIONS ARE IN MILLIMETERS		ITEM	PART NO	DESCRIPTION OR MATERIAL
DIM	TOL	SIM TO		
X ± 1	0.00 - 4.99 +0.15/-0.08	DWN P_DESHPANDE		
.X ± 0.8	5.00 - 9.99 +0.20/-0.10	CKD P_HANDE		
.XX ± 0.38	10.00 - 17.49 +0.25/-0.13	APVD A_MEHTA		
	17.50 - 24.99 +0.30/-0.13	DATE 08JUL09		
ANG TOL: ± 1.0°	SCALE: 1/8	SITE CODE		
DO NOT SCALE PRINT		CUMMINS		
CONFIDENTIAL - PROPERTY OF CUMMINS POWER GENERATION GROUP		ENCLOSURE OUTLINE		
FOR INTERPRETATION OF DIMENSIONS AND TOLERANCES, SEE ASME Y12.5M-1994		CUMMINS India Limited Registered Office: Kothrud, Pune 411038 (India)		
FIRST USED ON X INTL SPEC		SHEET 1 OF 1		
D		0500_5147		
D		REV A		

Proj/ENGINEER