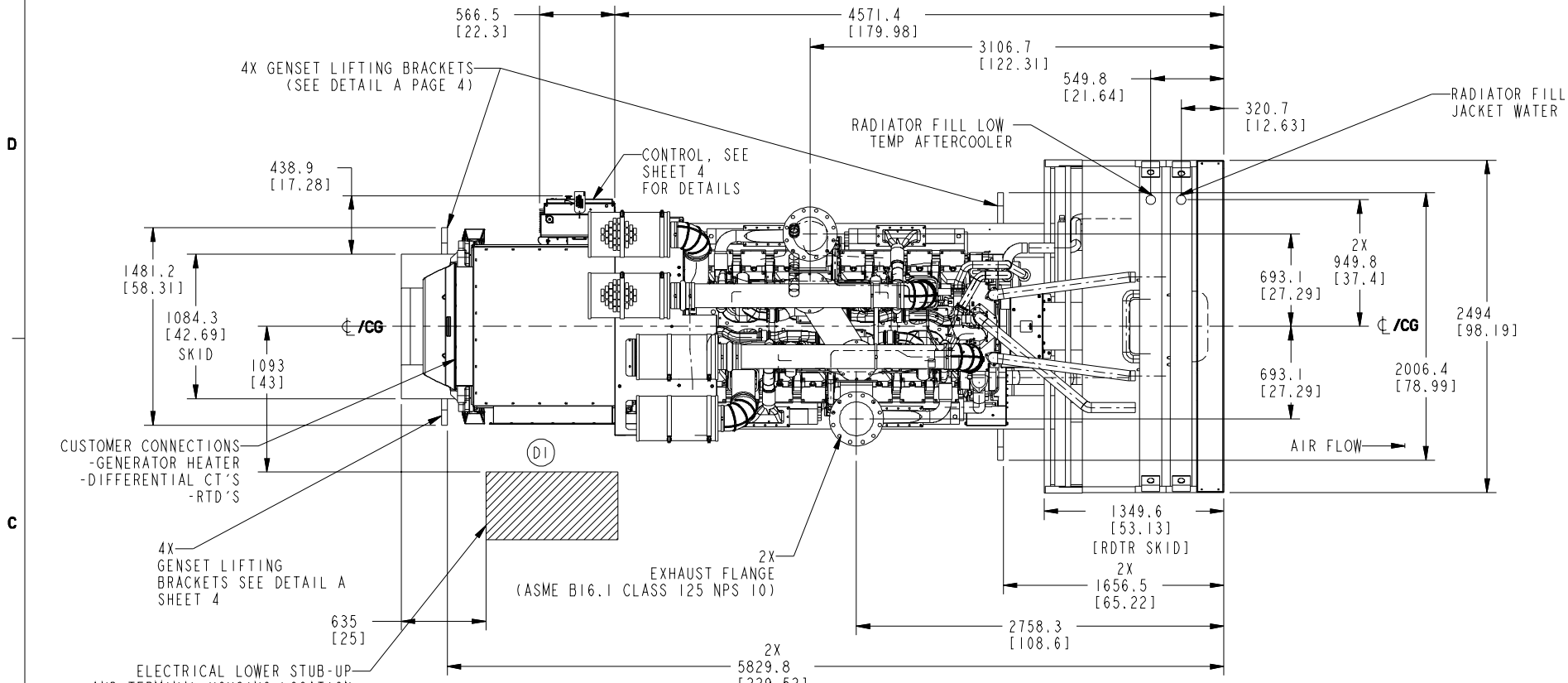


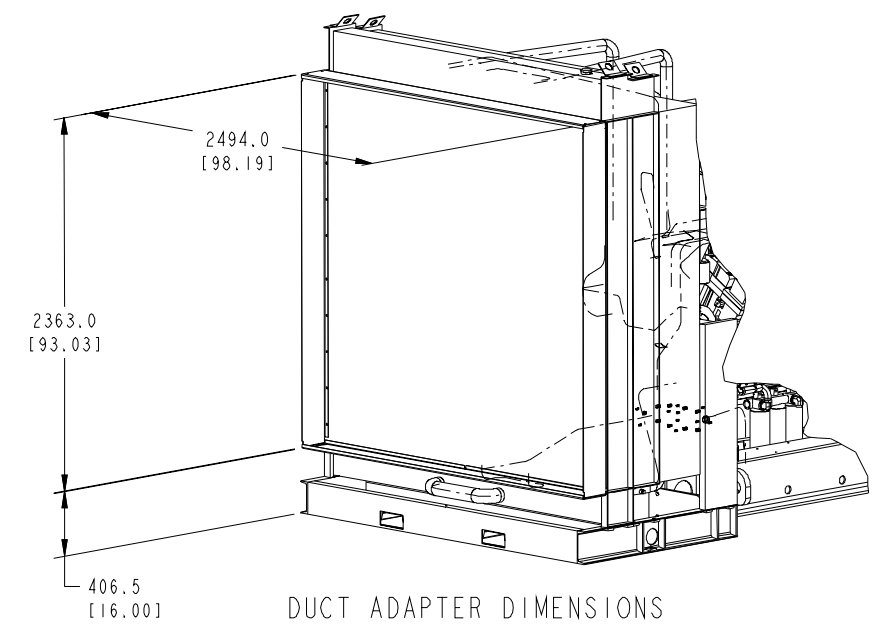
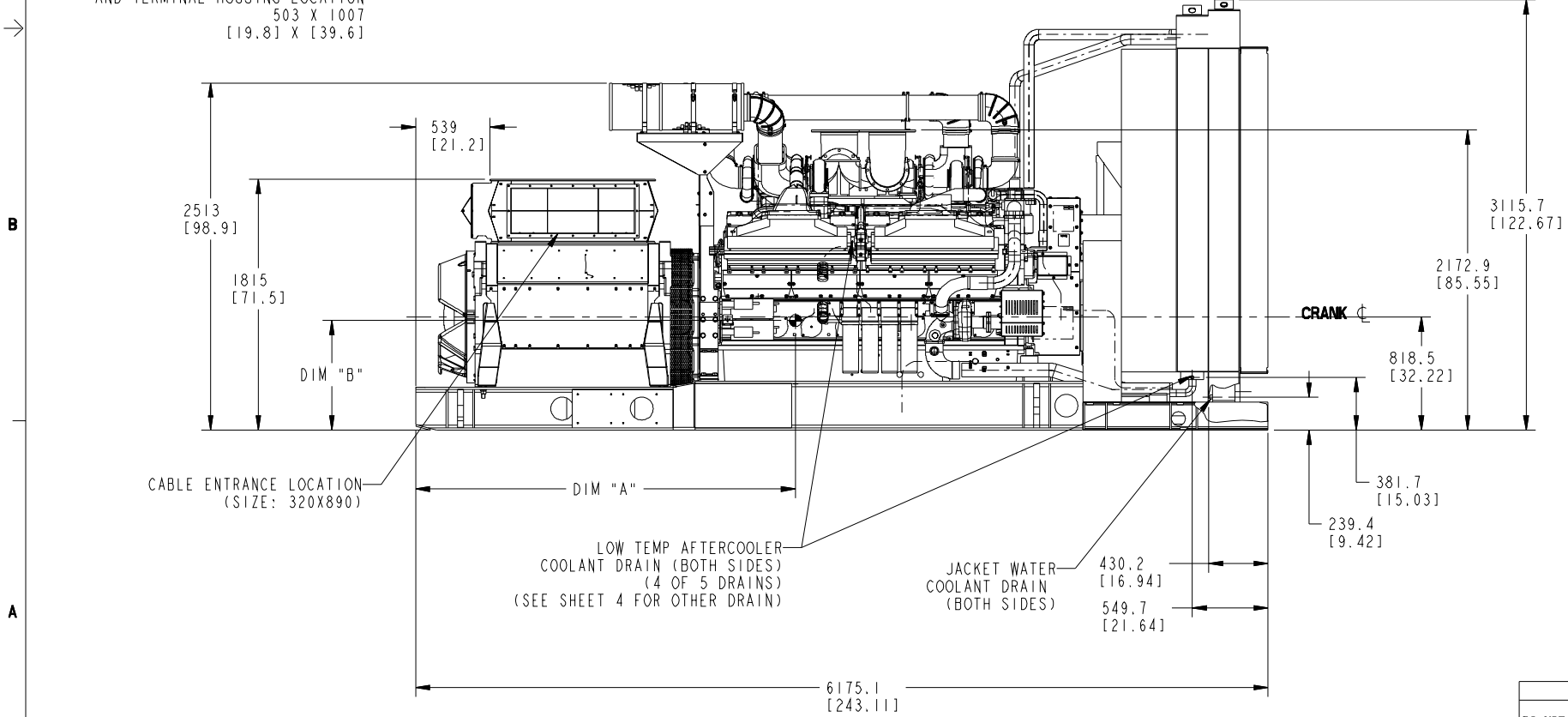
REL NO	LTR	NO	REVISION	ZONE	DR	CHKR	APPROVED	DATE
FRD17478	A	1	PRODUCTION RELEASE	-	MTA	BH	HENNING	08-01-03
FRD19449	B	2	ADDED DIM 538	-	MTA	BH	HENNING	02-10-04
FRD20897	C	-	---	-	-	-	-	-
FRD20842	D	1	MODIFIED STUB-UP LOCATION	5C	LDH	LH	HENNING	08-02-04



- NOTE:
1. DIMENSIONS SHOWN IN [] BRACKETS ARE INCHES.
 2. DO NOT ATTACH SOLID CONDUIT TO CONTROL BOX.
 4. GENSET SHIPPED FILLED WITH ENGINE OIL.

TABULATION
OIL SUMP (46.5 U.S. GALLONS)

GEN. FRAME SIZE	DIM "A" C.G.	DIM "B" C.G.	GENSET WT W/O COOLANT		GENSET WT WITH COOLANT	
			KGS	LBS	KGS	LBS
LVS1804R	2864 [112.7]	956 [37.6]	16690	36795	17217	37956
LVS1804S	2835 [111.6]	954 [37.6]	16938	37341	17465	38502
LVS1804T	2797 [110.1]	951 [37.4]	17288	38113	17815	39274
MV/HVS1804R	2913 [114.7]	947 [37.3]	16223	35764	16749	36925
MV/HVS1804S	2883 [113.5]	945 [37.2]	16471	36311	16997	37472
MV/HVS1804T	2843 [111.9]	943 [37.1]	16821	37083	17347	38244



RADIATOR COOLED (40C)
P80 ALTERNATOR

TOLERANCE UNLESS OTHERWISE SPECIFIED		DIM TO		ITEM PART NO		DESCRIPTION OR MATERIAL		REF DIS	
mm		inch		NAME		DATE		CUMMINS POWER GENERATION	
DO NOT SCALE PRINT		COPYED FROM		DR M.T.ABEL		08-01-03		4007 790D AVE NE MINNEAPOLIS, MINNESOTA 55432	
ANG TOL ± 1.0 °		THIRD ANGLE PROJECTION		CHDR B.HENNING		08-01-03		TITLE GENSET_OUTLINE	
SCALE OF 3/64		APPROVED B.HENNING		DATE 08-01-03		SITE CODE PGA		DWG NO 0500_3877	
		FOR INTERPRETATION AND DIMENSIONING AND TOLERANCING, SEE ANST 712, SM-1982		MODEL FIRST USED ON DQKH				SHEET 2 OF 7	