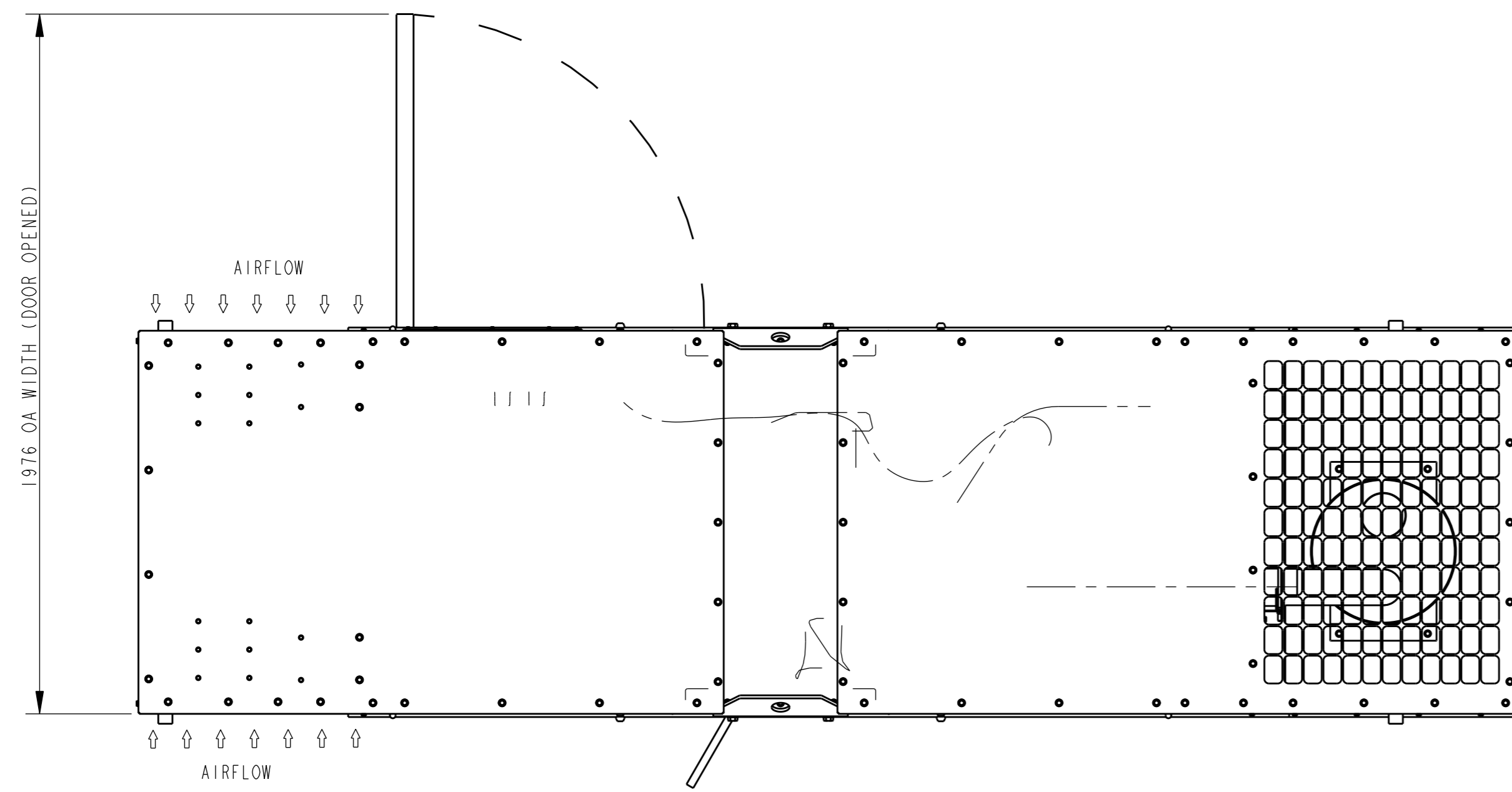
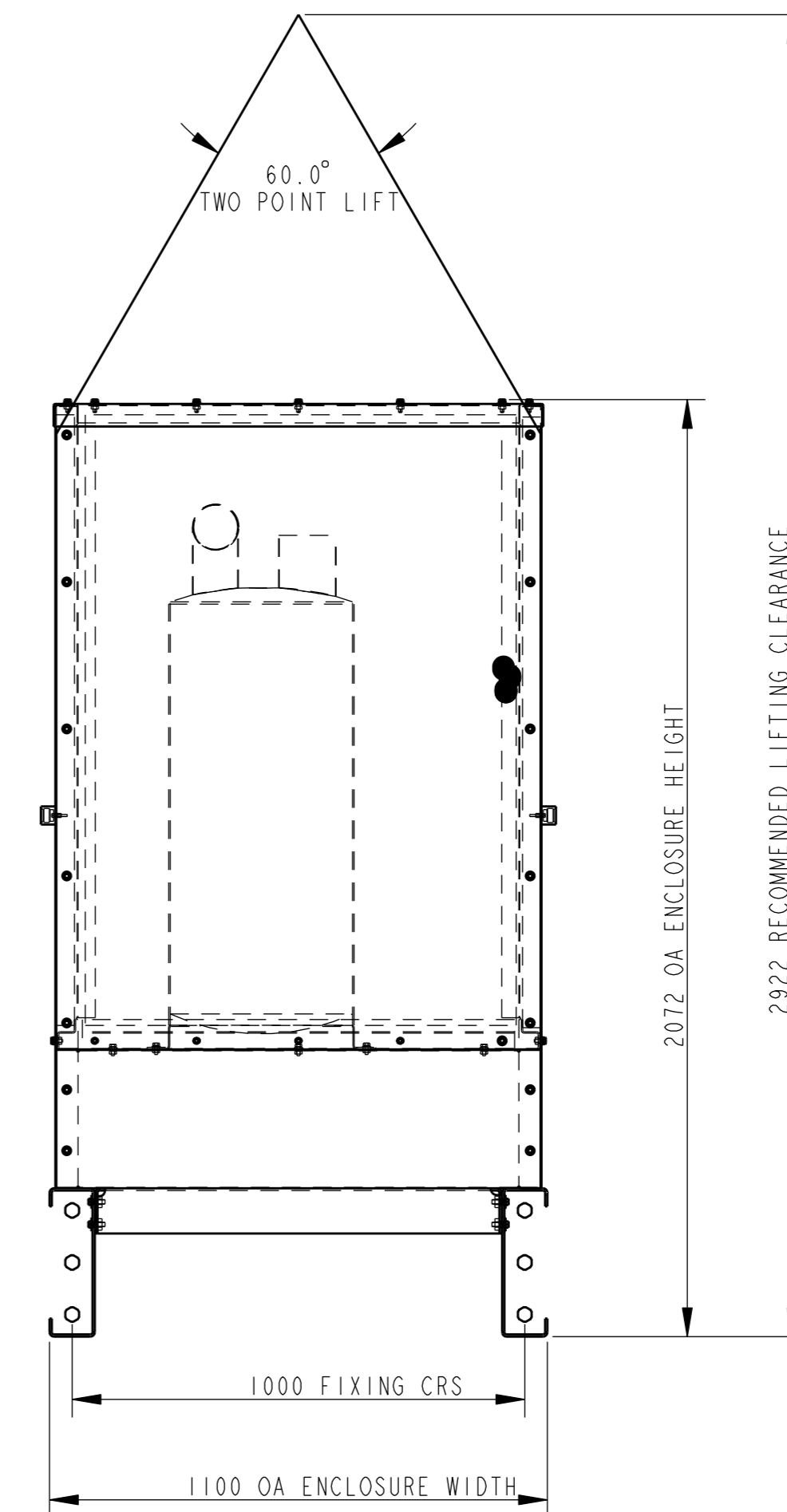
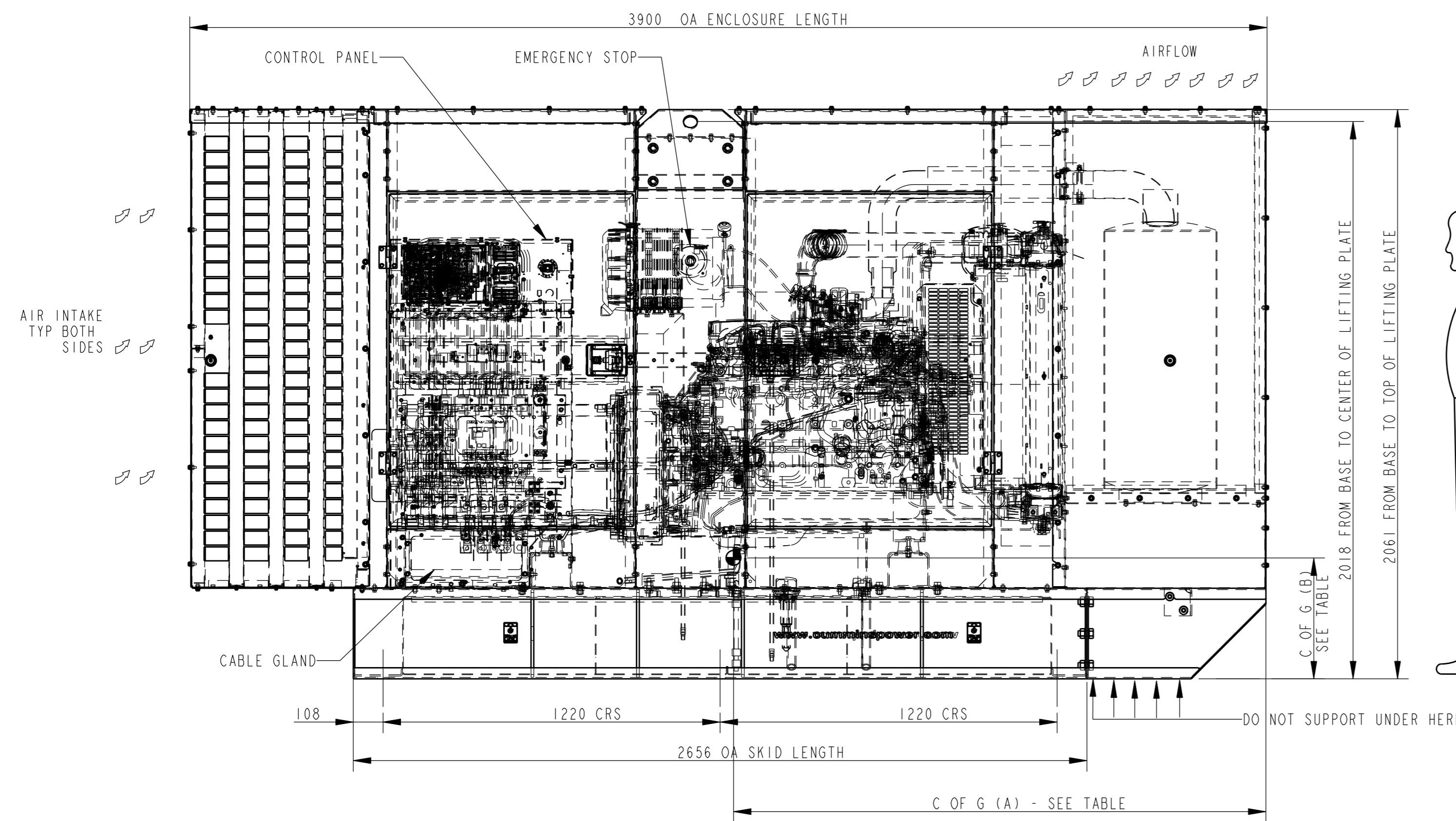


REL NO	LTR	NO	REVISION	ZONE	DR	CHR	APPROVED	DATE
ERK14231	A	1	PRODUCTION RELEASE	-	MD	SB	MATTHEWS	13/02/07



INSTALLATION NOTES:

- PLEASE ALLOW THE FOLLOWING PARAMETER CLEARANCES AROUND THE ENCLOSURE:  
SIDE (INCL. OPEN DOORS): 500mm  
ABOVE THE CANOPY: 1000mm
- BEDFRAME FIXING POINTS REQUIRE AN M20 FASTENING ARRANGEMENT.
- PLEASE REFER TO MANUAL FOR TWO-POINT LIFTING INSTRUCTIONS.
- CENTRE OF GRAVITY IS CALCULATED USING WET WEIGHT PLUS FUEL WITH SAFETY MARGIN OF 1X.
- TERMS AND CONDITIONS CAN BE FOUND AT THE FOLLOWING:-  
[www.cumminspower.com/terms](http://www.cumminspower.com/terms)



ENGINE	ALTERNATOR	WT WITH WET ENGINE Kg	WT WITH WET ENGINE & FUEL Kg	WT WITH DRY ENGINE Kg	C OF G (A)	C of G (B)
QSB7-G5	UC274J	2745	3301	1739	2009	712
QSB7-G5	UC274H	2650	3206	1644	1992	716
QSB7-G5	UC274G	2604	3160	1598	1979	718
QSB7-G5	UC274F	2552	3108	1546	1965	720

<b>DO NOT SCALE PRINT</b>	TOLERANCE UNLESS STATED ALL DIMENSIONS IN MM	SIM TO	NAME	DATE																			
	<table border="1"> <tr> <td>0.00 - 4.99</td> <td>+0.15/-0.06</td> <td>COPY TO</td> <td>M DIXIT</td> <td>13/02/07</td> </tr> <tr> <td>5.00 - 9.99</td> <td>+0.20/-0.10</td> <td>FROM</td> <td>S BAVISKAR</td> <td>13/02/07</td> </tr> <tr> <td>10.00 - 24.99</td> <td>+0.25/-0.13</td> <td>THIRD ANGLE PROJECTION</td> <td>J MATTHEWS</td> <td>13/02/07</td> </tr> <tr> <td>25.00 - 24.99</td> <td>+0.30/-0.15</td> <td>FOR INTERPRETATION OF DIMENSIONING AND TOLERANCING SEE BS 308 PART 2</td> <td></td> <td></td> </tr> </table>	0.00 - 4.99	+0.15/-0.06	COPY TO	M DIXIT	13/02/07	5.00 - 9.99	+0.20/-0.10	FROM	S BAVISKAR	13/02/07	10.00 - 24.99	+0.25/-0.13	THIRD ANGLE PROJECTION	J MATTHEWS	13/02/07	25.00 - 24.99	+0.30/-0.15	FOR INTERPRETATION OF DIMENSIONING AND TOLERANCING SEE BS 308 PART 2			THIS DOCUMENT IS THE PROPERTY OF CUMMINS POWER GENERATION. IT CONTAINS PROPRIETARY AND CONFIDENTIAL INFORMATION WHICH MUST NOT BE REPLICATED, USED OR DISCLOSED OTHER THAN EXPRESSLY AUTHORIZED BY CUMMINS POWER GENERATION OR ITS REPRESENTATIVE.	DATE
0.00 - 4.99	+0.15/-0.06	COPY TO	M DIXIT	13/02/07																			
5.00 - 9.99	+0.20/-0.10	FROM	S BAVISKAR	13/02/07																			
10.00 - 24.99	+0.25/-0.13	THIRD ANGLE PROJECTION	J MATTHEWS	13/02/07																			
25.00 - 24.99	+0.30/-0.15	FOR INTERPRETATION OF DIMENSIONING AND TOLERANCING SEE BS 308 PART 2																					
ANG TOL ± 1.0°		DATE	DATE	DATE																			
DRAWN TO SCALE OF: 23:300		DATE	DATE	DATE																			



**CUMMINS POWER GENERATION**  
COLUMBUS AVENUE, MANSTON, RAMSGATE  
KENT, CT12 5BF, ENGLAND, UK

TITLE: **GENSET OUTLINE (STD ENCLOSED)**

PGK DWG NO: 0500-4680 SHEET 1 OF 1