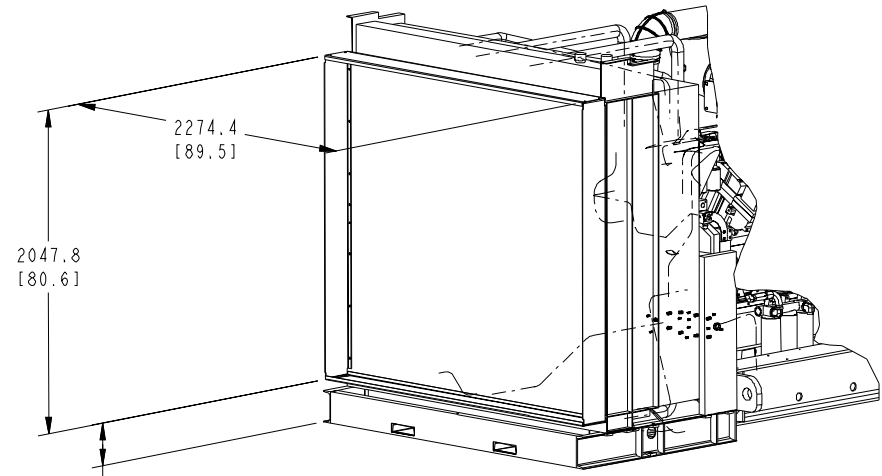


REL NO	LTR	NO	REVISION	ZONE	DR	CHKR	APPROVED	DATE
FRD19167	A	1	PRODUCTION RELEASE	-	MTA	BH	HENNING	01-15-04
FRD20897	B	--	-----	--	---	---	---	---
FRD20842	C	1	MODIFIED STUB-UP LOCATION	C5	LDH	LH	HENNING	08-02-04

TABULATION OIL SUMP (69 U.S. GALLONS)				
GEN. FRAME SIZE	DIM "A" C.G.	DIM "B" C.G.	GENSET WT W/O COOLANT	
			KGS	LBS
LVS1804RI	2786 [109.7]	918 [36.2]	16781	36995
LVS1804SI	2758 [108.6]	917 [36.1]	17029	37542
LVS1804TI	2721 [107.1]	915 [36.0]	17379	38314
MVS1804RI	2826 [111.3]	911 [35.9]	16381	36114
MVS1804SI	2797 [110.1]	910 [35.8]	16629	36660
MVS1804TI	2758 [108.6]	908 [35.7]	16979	37432
HVS1804RI	2826 [111.3]	911 [35.9]	16381	36114
HVS1804SI	2797 [110.1]	910 [35.8]	16629	36660
HVS1804TI	2758 [108.6]	908 [35.7]	16979	37432

TABULATION OIL SUMP (69 U.S. GALLONS)				
GEN. FRAME SIZE	DIM "A" C.G.	DIM "B" C.G.	GENSET WT W/O COOLANT	
			KGS	LBS
LVS1804RI	2783 [109.6]	912 [35.9]	16925	37312
LVS1804SI	2756 [108.5]	911 [35.9]	17173	37859
LVS1804TI	2718 [107.0]	909 [35.8]	17523	38631
MVS1804RI	2822 [111.1]	905 [35.6]	16525	36431
MVS1804SI	2794 [110.0]	904 [35.6]	16773	36977
MVS1804TI	2755 [108.5]	902 [35.5]	17123	37749
HVS1804RI	2822 [111.1]	905 [35.6]	16525	36431
HVS1804SI	2794 [110.0]	904 [35.6]	16773	36977
HVS1804TI	2755 [108.5]	902 [35.5]	17123	37749



DUCT ADAPTER DIMENSIONS

RADIATOR COOLED (40C)  
P80 ALTERNATOR

- NOTE:
1. DIMENSIONS SHOWN IN [ ] BRACKETS ARE INCHES.
  2. DO NOT ATTACH SOLID CONDUIT TO CONTROL BOX.
  3. DIMENSIONS SHOWN IN [ ] BRACKETS ARE INCHES.
  4. GENSET SHIPPED FILLED WITH ENGINE OIL.

DO NOT SCALE PRINT		TOLERANCE UNLESS OTHERWISE SPECIFIED		SHEET NO.		ITEM PART NO		DESCRIPTION OR MATERIAL		REF DIS	
ANG TOL ± 1.0	0.00-4.99	+0.15/-0.00	.004-.200	+0.001/-0.003	1	2	DR	M.T.ABEL	01-15-04	CUMMINS POWER GENERATION 4000 790D AVE NE MINNEAPOLIS, MINNESOTA 55432	
SCALE OF	5.00-9.99	+0.20/-0.10	.201-.501	+0.001/-0.004	3	4	CHKR	B.HENNING	01-15-04	TITLE GENSET_OUTLINE	
	10.00-17.99	+0.25/-0.13	.502-1.001	+0.001/-0.005	5	6	APPROVED	B.HENNING	01-15-04	SITE CODE	PGA
	17.50-24.99	+0.30/-0.15	1.002-3.001	+0.001/-0.005	7	8	FOR INTERPRETATION OF DIMENSIONS AND TOLERANCES, SEE ANSIST 91.2, SM-1982	MODEL FIRST USED ON	DQKB, KC, KD	ENG NO	0500_3947
										SHEET	2 of 7
										DATE	01-15-04