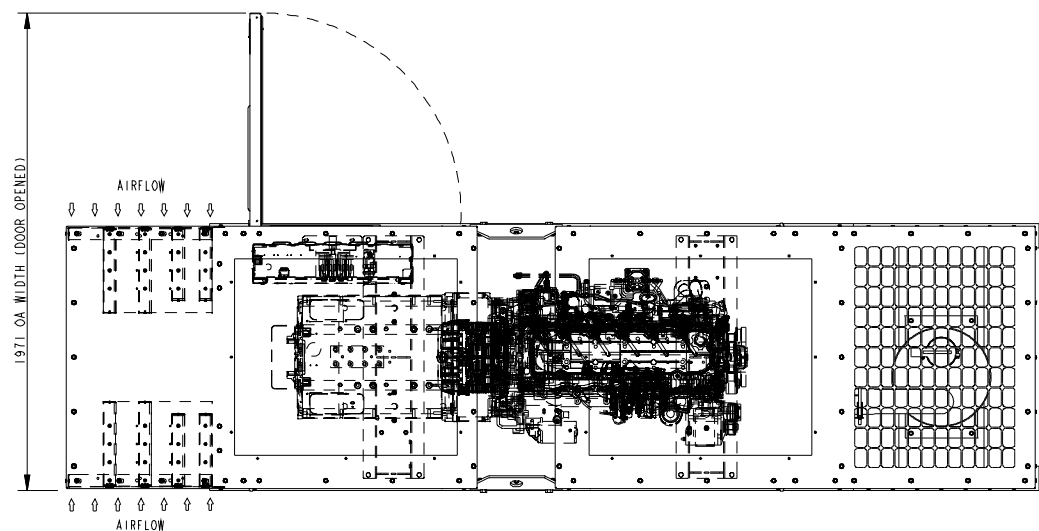


REL NO	LTR	NO	REVISION	ZONE	DR	CHKR	APPROVED	DATE
ERK14231	A	1	PRODUCTION RELEASE	-	MD	SB	MATTHEWS	13/02/07



INSTALLATION NOTES:

1. PLEASE ALLOW THE FOLLOWING PARAMETER CLEARANCES AROUND THE ENCLOSURE:

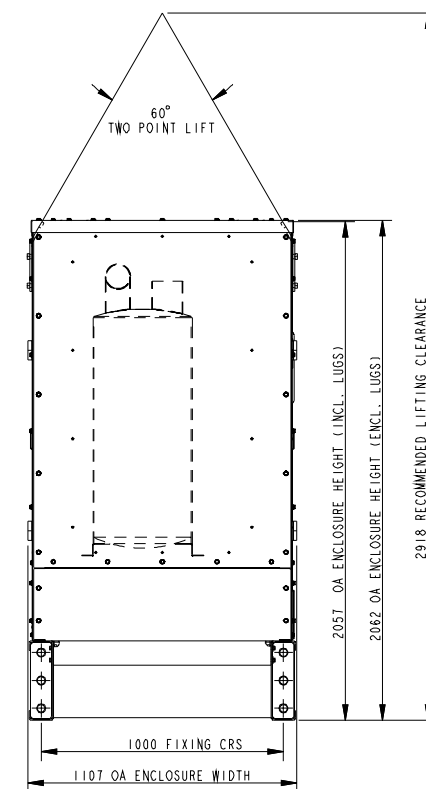
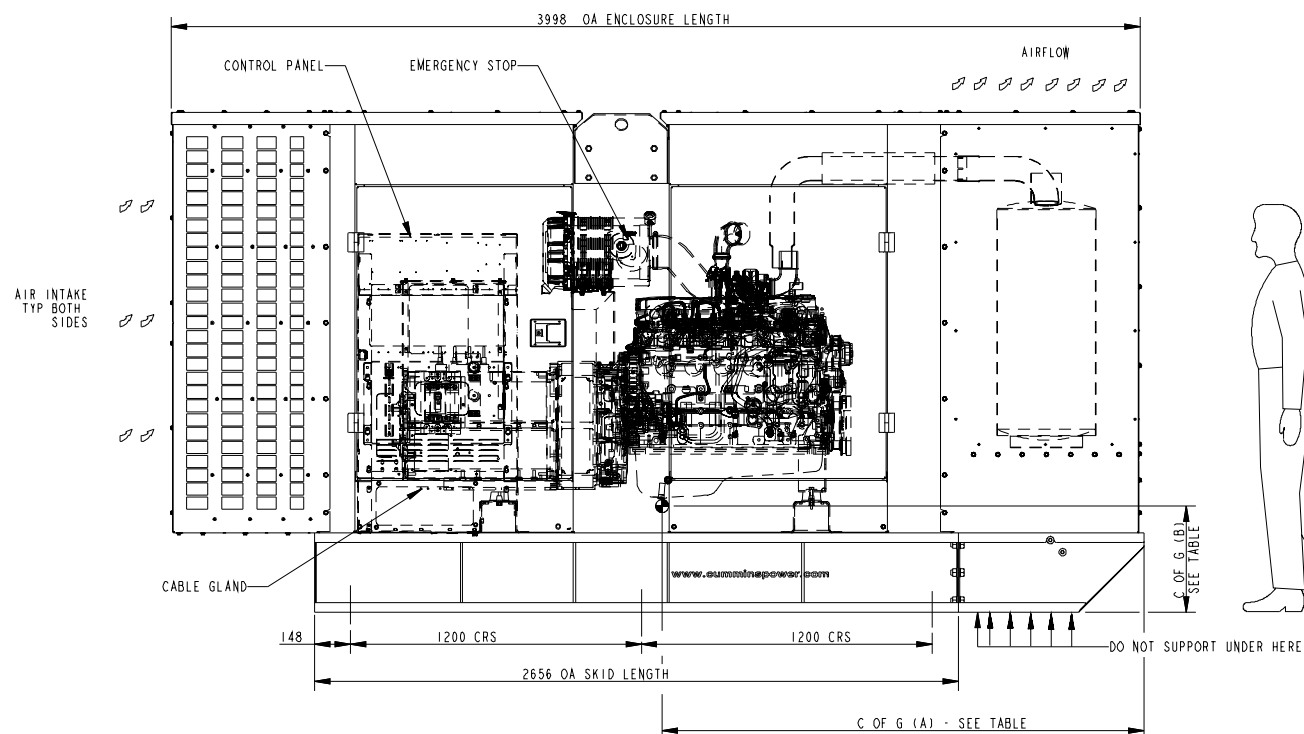
SIDE (INCL. OPEN DOORS): 500mm
ABOVE THE CANOPY: 1000mm

2. BEDFRAME FIXING POINTS REQUIRE AN M20 FASTENING ARRANGEMENT.

3. PLEASE REFER TO MANUAL FOR TWO-POINT LIFTING INSTRUCTIONS.

4. CENTRE OF GRAVITY IS CALCULATED USING WET WEIGHT PLUS FUEL WITH SAFETY MARGIN OF 1%.

5. TERMS AND CONDITIONS CAN BE FOUND AT THE FOLLOWING:-
www.cumminspower.com/terms



ENGINE	ALTERNATOR	WT WITH DRY ENGINE Kg	WT WITH WET ENGINE Kg	WT WITH WET ENGINE & FUEL Kg	C OF G (A)	C of G (B)
OSB7-G3	UC274G	2437	2476	3041	2060	815
OSB7-G3	UC274F	2387	2426	2991	2072	816
OSB7-G3	UC274E	2343	2382	2947	2083	897

DO NOT SCALE PRINT	TOLERANCE UNLESS STATED ALL DIMENSIONS IN MM	SW TO	NAME	DATE		CUMMINS POWER GENERATION COLUMBUS AVENUE, MANSTON, RANGS GATE KENT, CT12 5BF, ENGLAND, UK
	1 ± 0.3 2 ± 0.5 3 ± 0.5 4 ± 0.5 5 ± 0.5 6 ± 0.5 7 ± 0.5 8 ± 0.5 9 ± 0.5 10 ± 0.5 11 ± 0.5 12 ± 0.5 13 ± 0.5 14 ± 0.5 15 ± 0.5 16 ± 0.5 17 ± 0.5 18 ± 0.5 19 ± 0.5 20 ± 0.5 21 ± 0.5 22 ± 0.5 23 ± 0.5 24 ± 0.5 25 ± 0.5 26 ± 0.5 27 ± 0.5 28 ± 0.5 29 ± 0.5 30 ± 0.5	COPY TO LEADER THIRD ANGLE PROJECTION	DRAWN M DIXIT CHECK S BAVISKAR APPR J MATTHEWS	13/02/07 13/02/07 13/02/07		
ANG TOL ± 1.0° DRAWN TO SCALE OF: 23:300	THIS DRAWING IS THE PROPERTY OF CUMMINS POWER GENERATION. IT CONTAINS PROPRIETARY AND CONFIDENTIAL INFORMATION WHICH MUST NOT BE REPRODUCED, COPIED, OR DISCLOSED TO ANY OTHER PARTY WITHOUT THE WRITTEN PERMISSION OF CUMMINS POWER GENERATION OR ITS REPRESENTATIVE.	FOR INTERPRETATION TOLERANCES AND DIMENSIONS SEE AND USE CUMMINS PAPER 2-111	1 FIRST USED ON C175D5	SITE CODE PGK	0500-4680	SHEET 1 OF 1 A1